

# Toyota Land Cruiser 70

## 1/10 Hard Body Kit

Official Licensed Product

NO. 48732 White

NO. 48733 Matte military green

NO. 48734 Matte military desert

# killerbody™

## 1/10 RC PLANNING INSTRUCTION SHEET

Scale Hard Body (Long wheelbase: 323mm Width: 197mm)

Fit for Traxxas TRX-4 chassis

**Before beginning assembly, please read these instructions thoroughly!**

● Symbols used throughout the instruction manual, comprise:



Smooth rough edge.



Remove.



Pay close attention here!



Must be purchased separately.



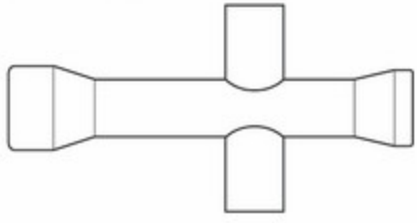
Assemble left and right sides the same way.

The picture on cover is shot by real product & scenery.



**TOOLS RECOMMENDED (NOT INCLUDED)**

Box wrench



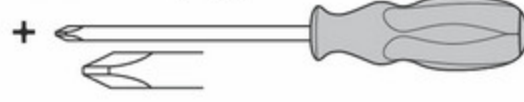
Hex wrench



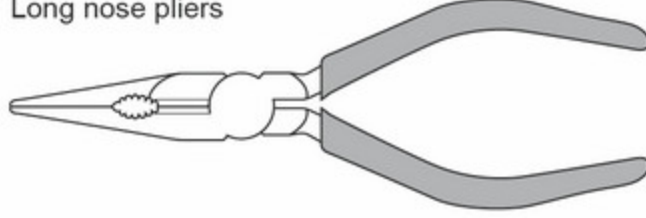
Screwdriver (small)



Screwdriver (large)



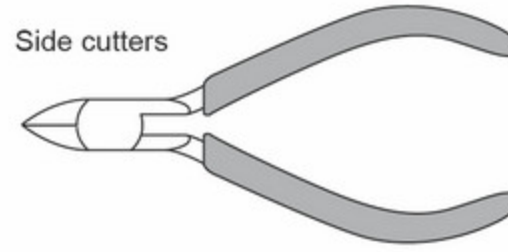
Long nose pliers



Tweezers



Side cutters



Modeling knife



Drill 1.0mm



Screw cement



Plastic cement

**PARTS**

ABS parts -----X8

PC parts -----X3

ABS chromed parts -----X1

Plastic glass -----X1

Decal sheet -----X3

Silver mirror decal -----X1

Double-sided tape for dashboard-----X1



Tapping screw 1.4X6mm -----X27

Nut 2.6X1.4mm-----X23

Tapping screw 1.4X4mm -----X35

Screw 1.0X3mm -----X16

Screw 1.4X4mm -----X2

Screw 2.3X5mm-----X19

Screw 2.3X6mm-----X31

Flange screw 2.3X5X6mm -----X4

Screw M3X8mm-----X18

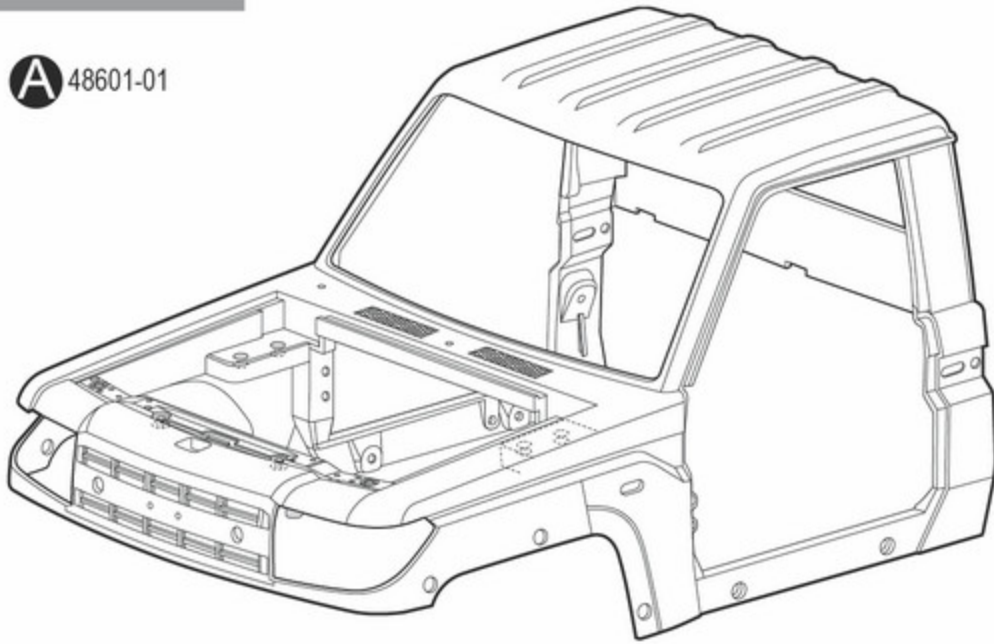
Nut 5.5X5mm-----X4

Wing mirror stainless steel parts (upper)---X2

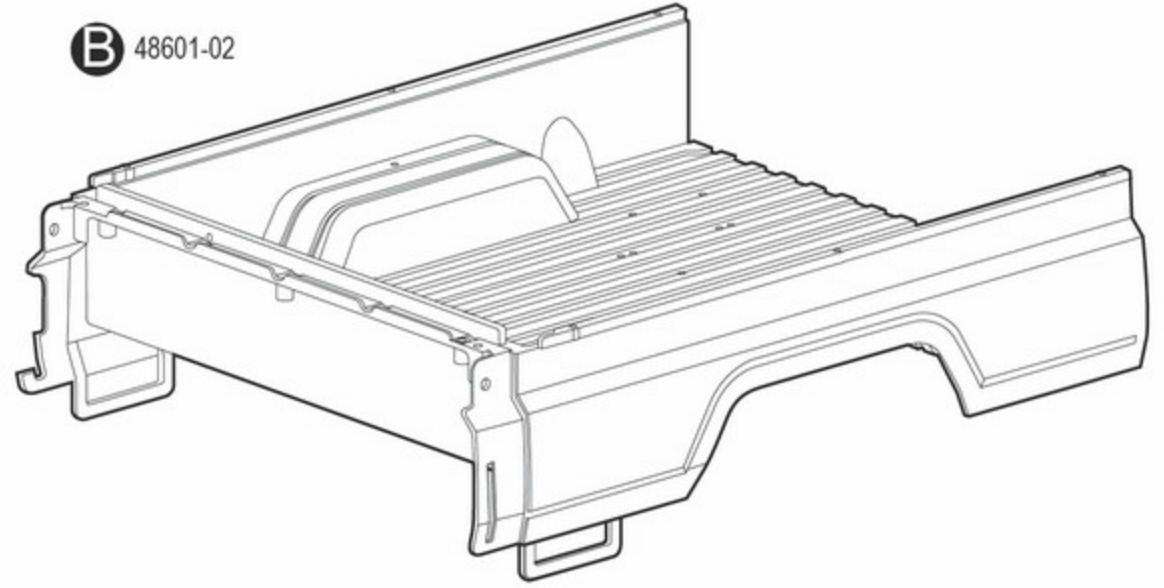
Wing mirror stainless steel parts (lower)---X2

**PLASTIC PARTS**

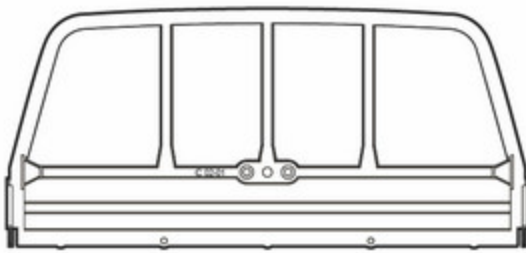
**A** 48601-01



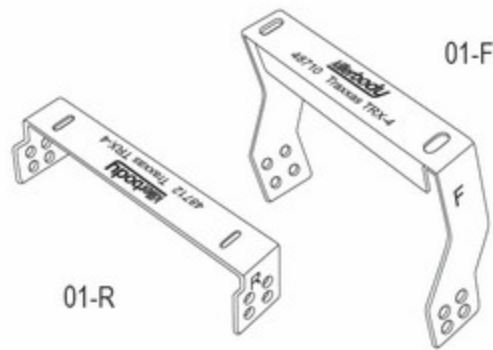
**B** 48601-02



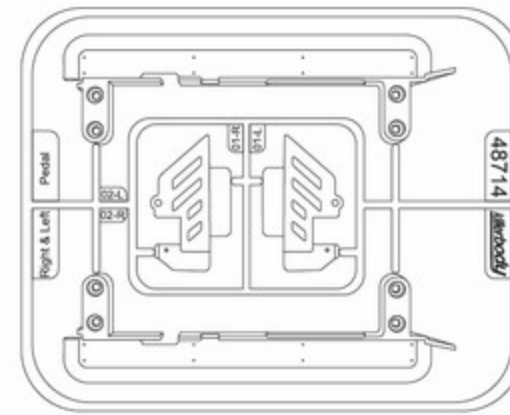
**C** 02-01



**D** Installation Mounting Stainless Steel 48710



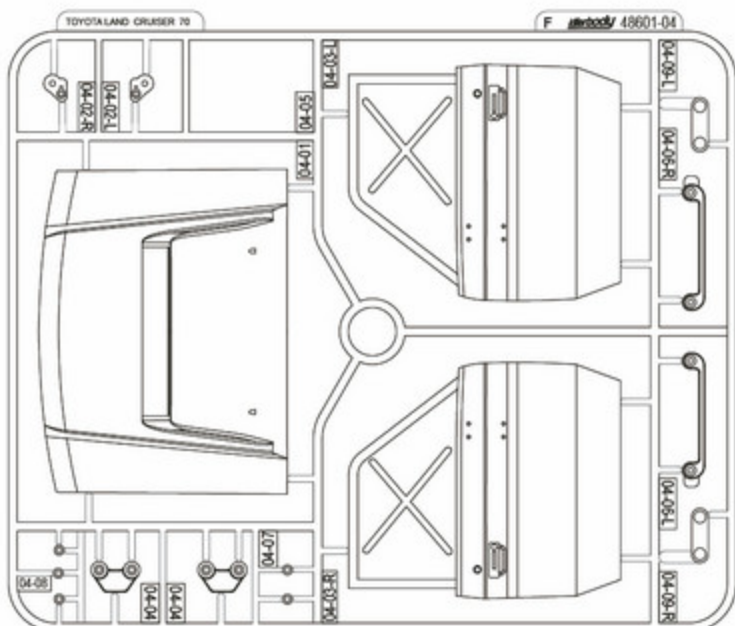
**E** Right & Left Pedal 48714



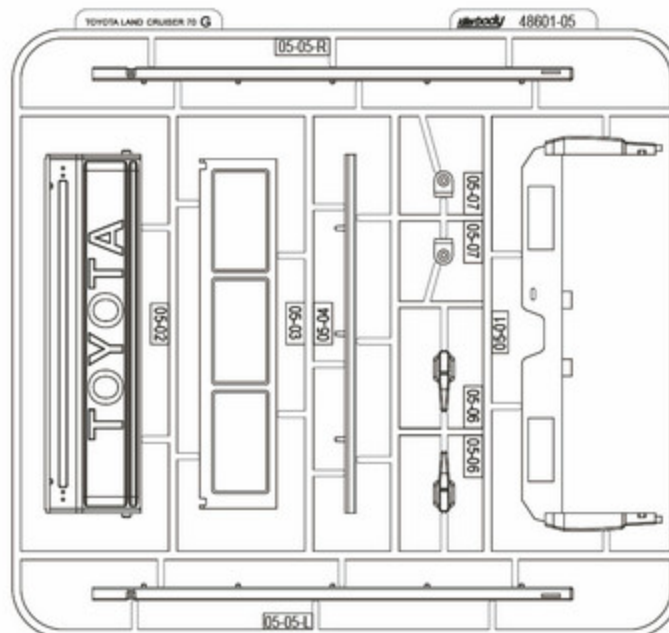
03-L 03-R



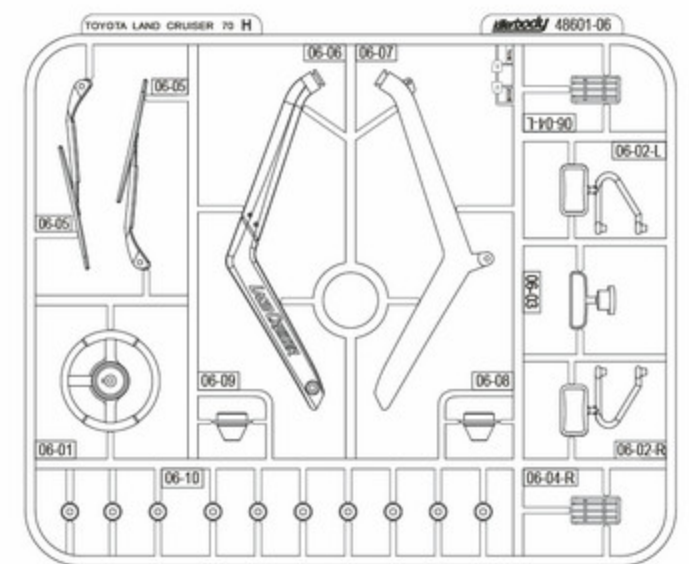
**F** 48601-04



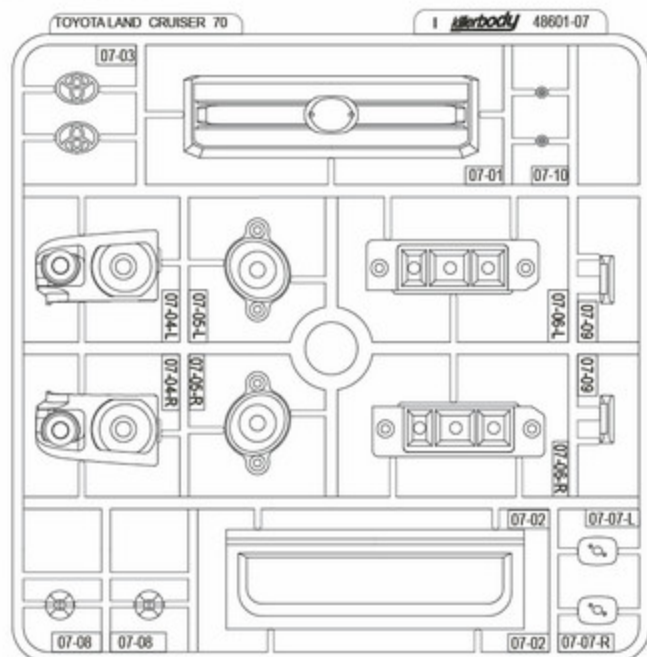
**G** 48601-05



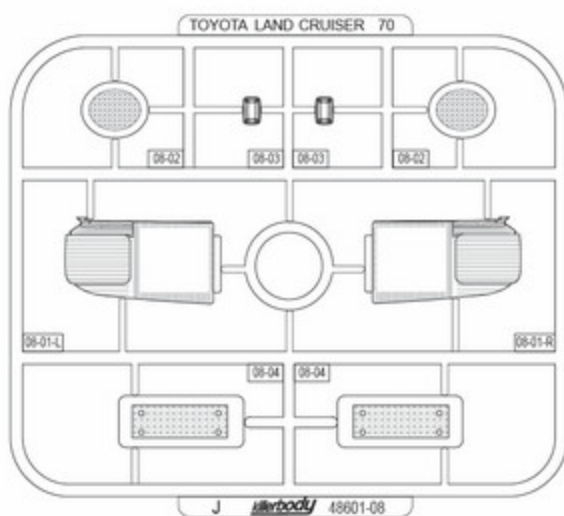
**H** 48601-06



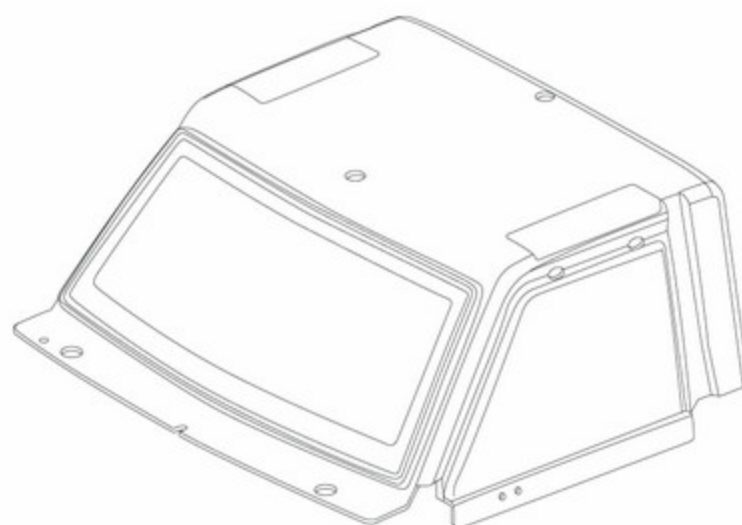
**I** Chromed parts  
48601-07



**J** Plastic glass  
48601-08



**K** PC window



Chromed accessories are for KIT version;  
Black accessories are for military version.

**L** PC dashboard

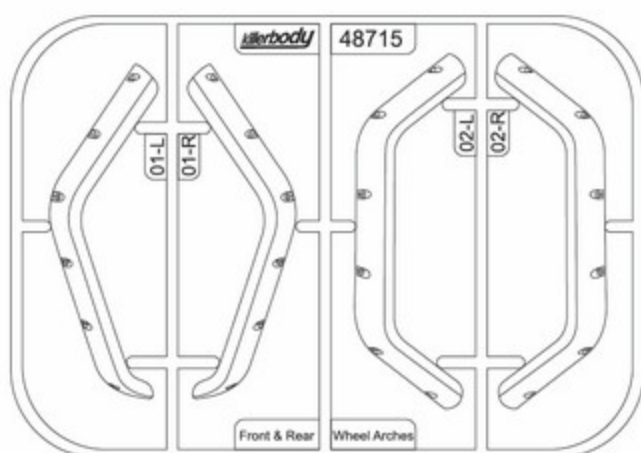
<Right>



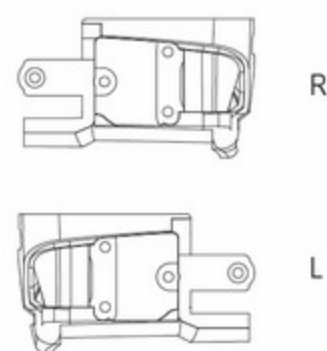
<Left>



**M** Front & Rear Wheel Arches  
48715

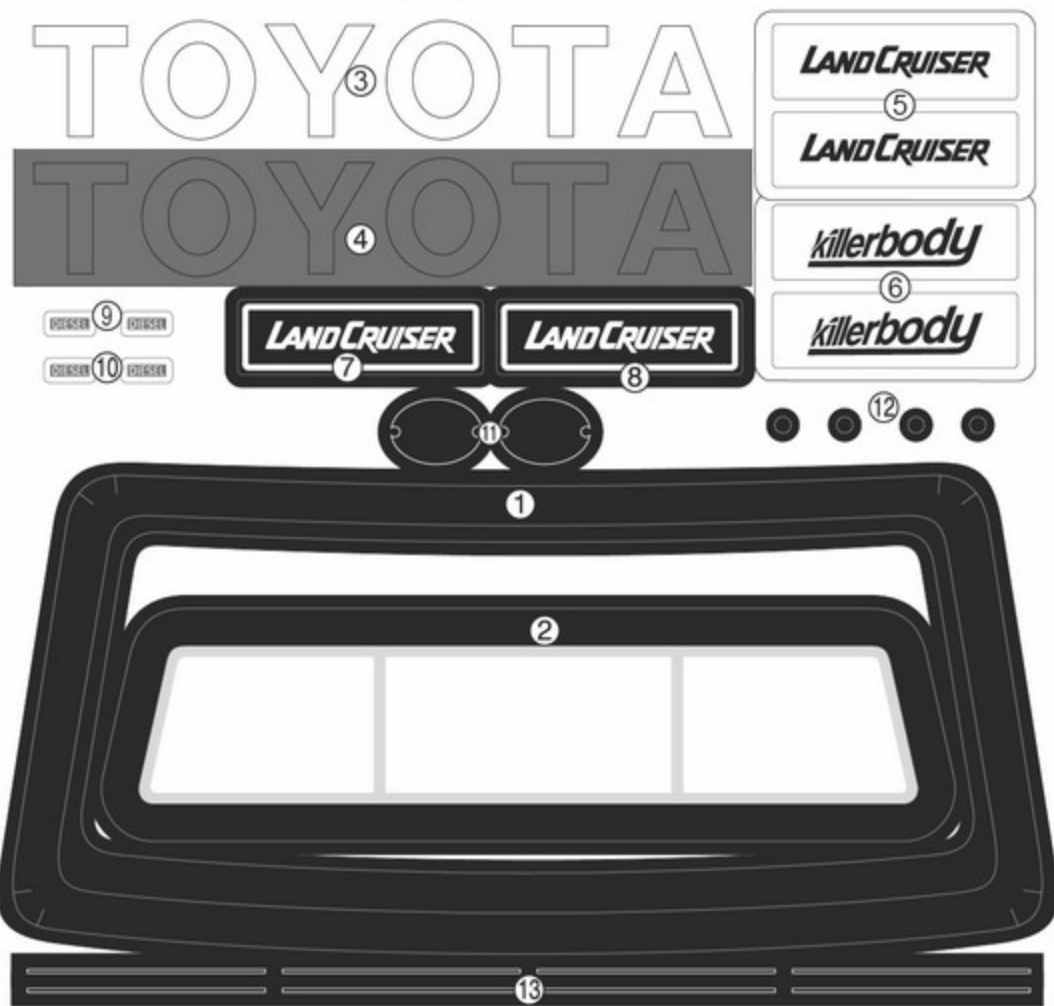


**N** Headlights Stopper



DECAL

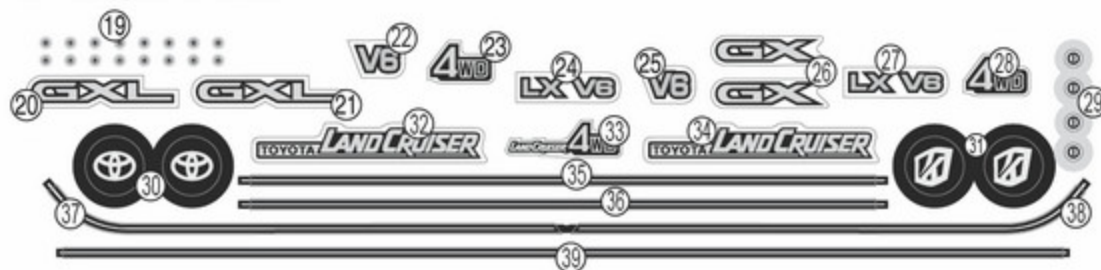
Body decal sheet



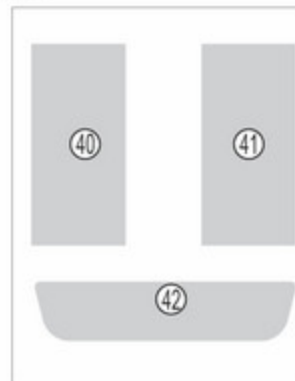
Dashboard decal sheet



Gilt decorative decal



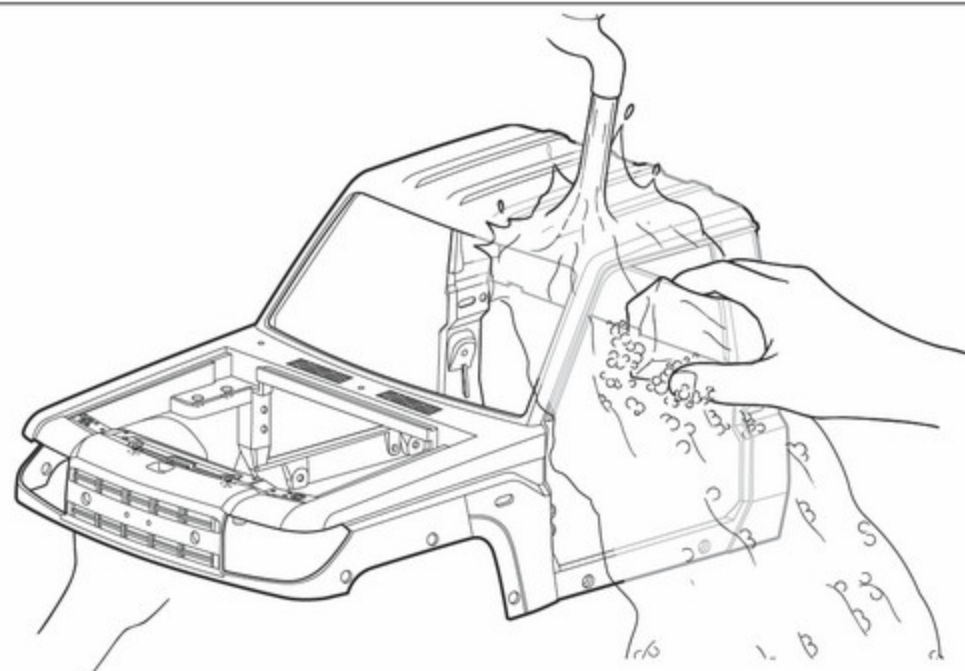
Silver mirror decal



**1** Cleaning

Use a neutral detergent to remove any oil residues and dirt.

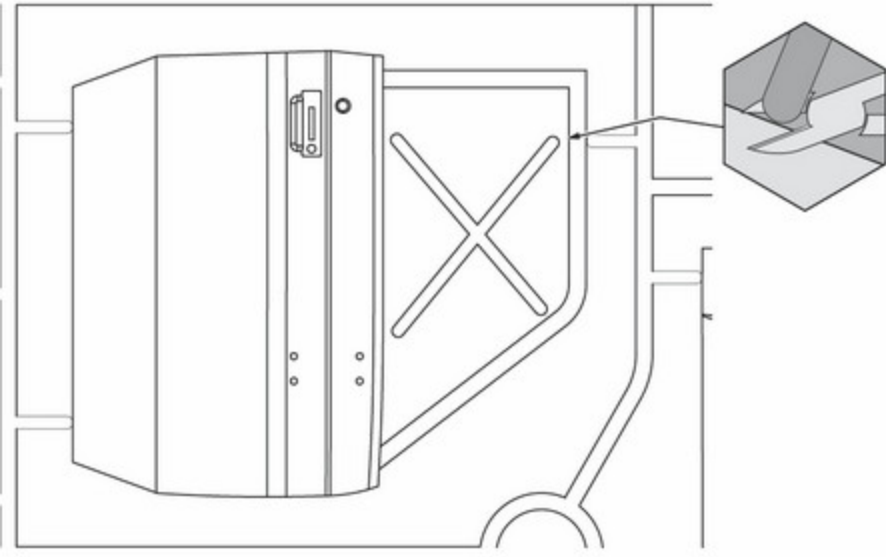
**A B C F G**



## 2 Cutting

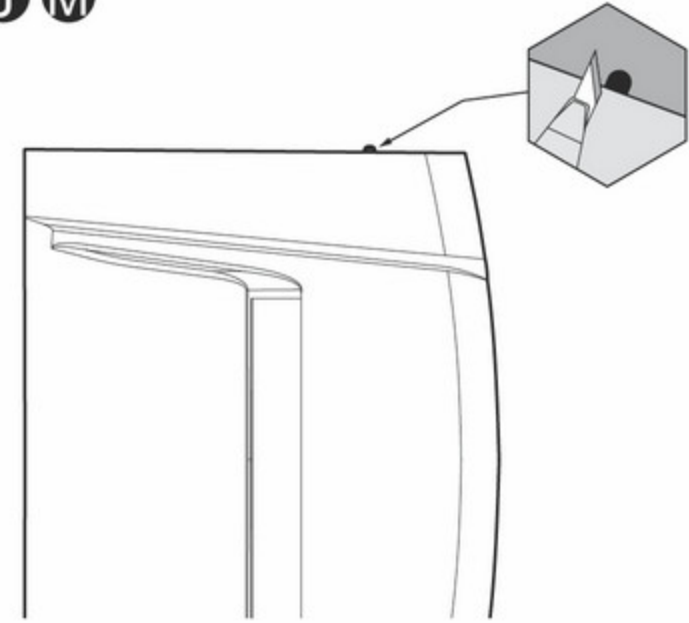
1 Remove.

**E F G H I J M**



2 Smooth rough edge.

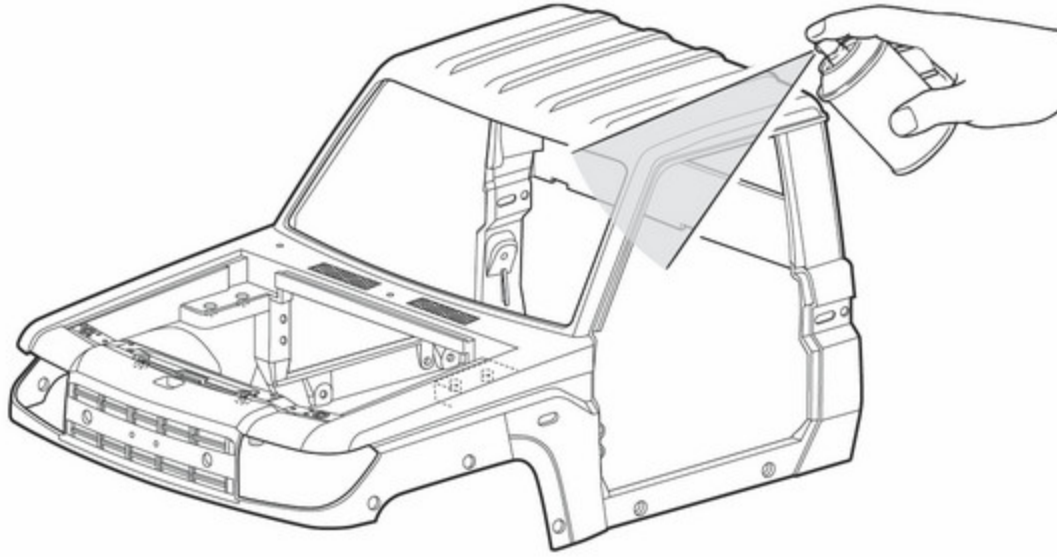
**A B C E F**  
**G H I J M**



## 3 Painting

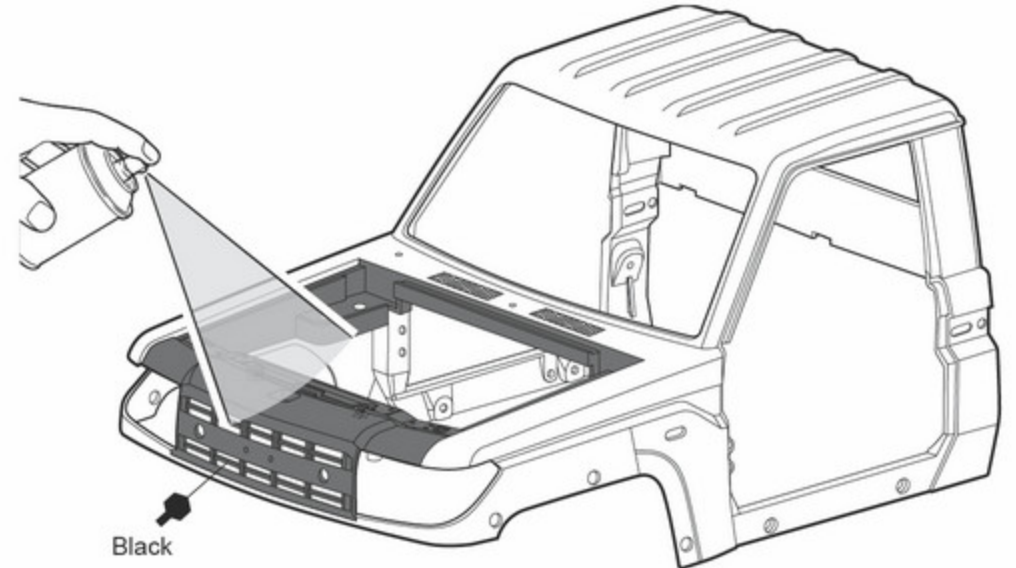
Paint spray color what you prefer on these parts, recommend paint in same color.

**A B C F G**



**A**

Black spray color



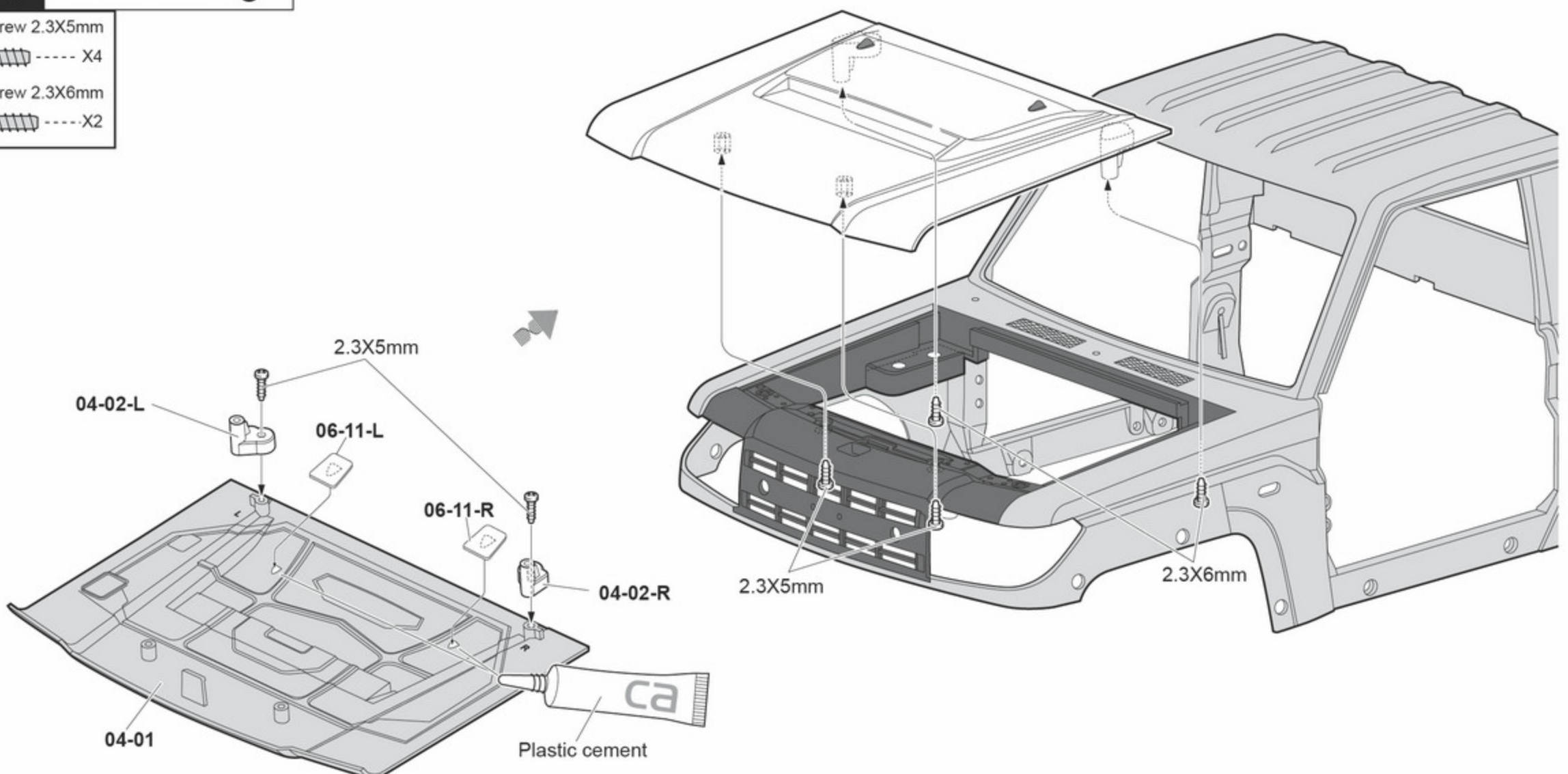
## 4 Assembling

Screw 2.3X5mm

 X4

Screw 2.3X6mm

 X2



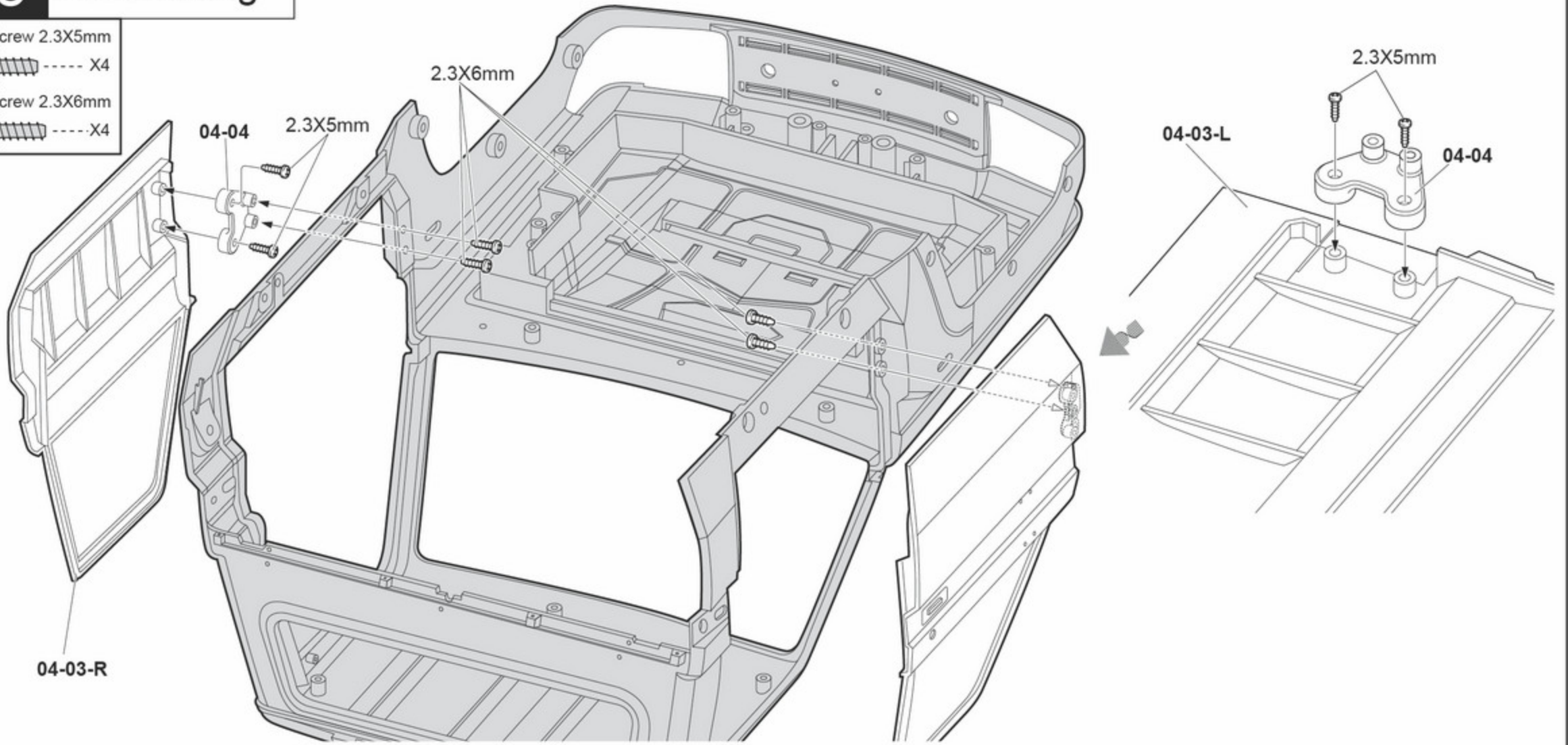
## 5 Assembling

Screw 2.3X5mm

----- X4

Screw 2.3X6mm

----- X4



## 6 Assembling

Screw 2.3X5mm

----- X6

Flange screw 2.3X5X6mm

----- X1

Tapping screw 1.4X4mm

----- X4

Tapping screw 1.4X6mm

----- X3

Nut 2.6X1.4mm

----- X3

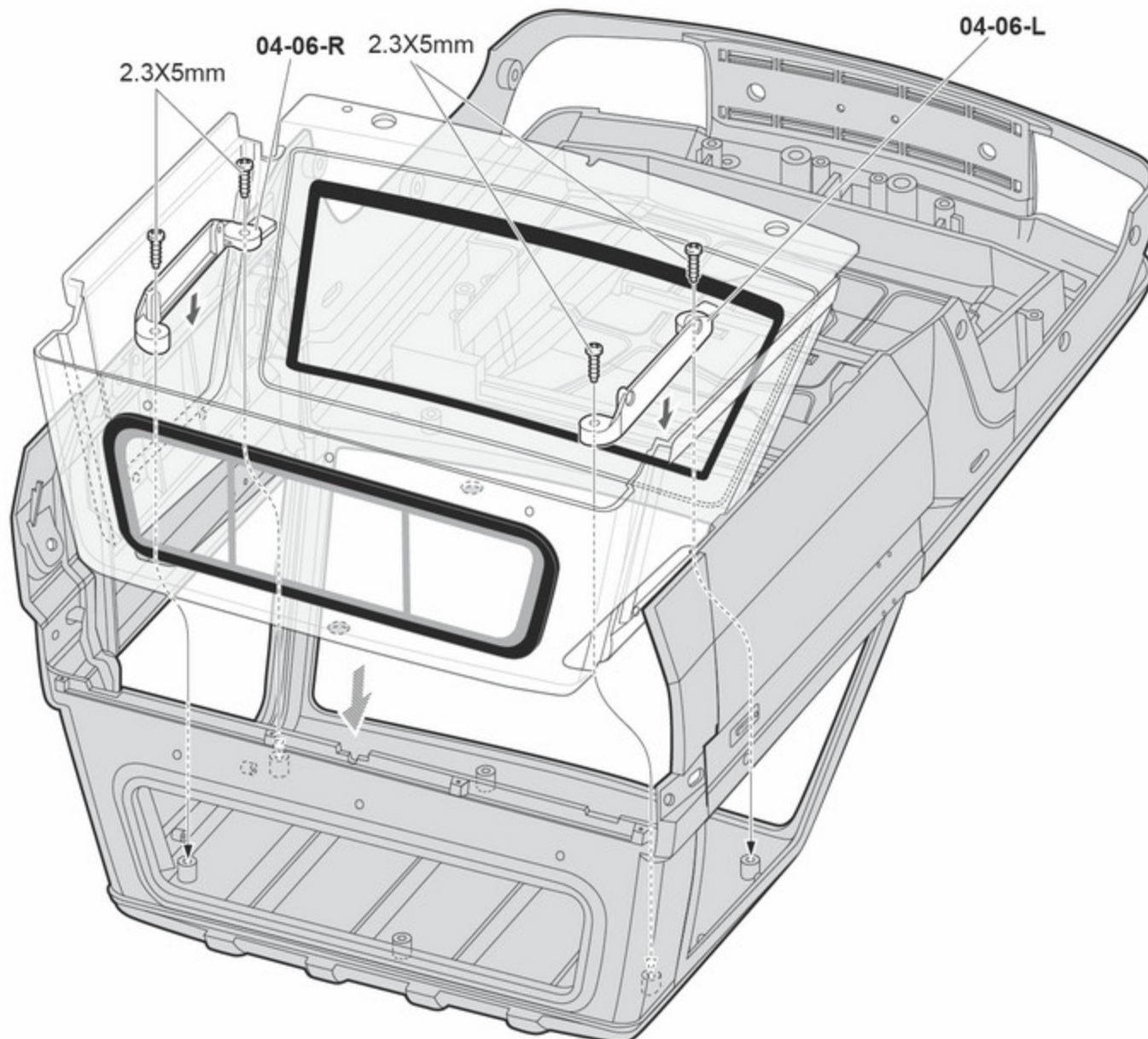
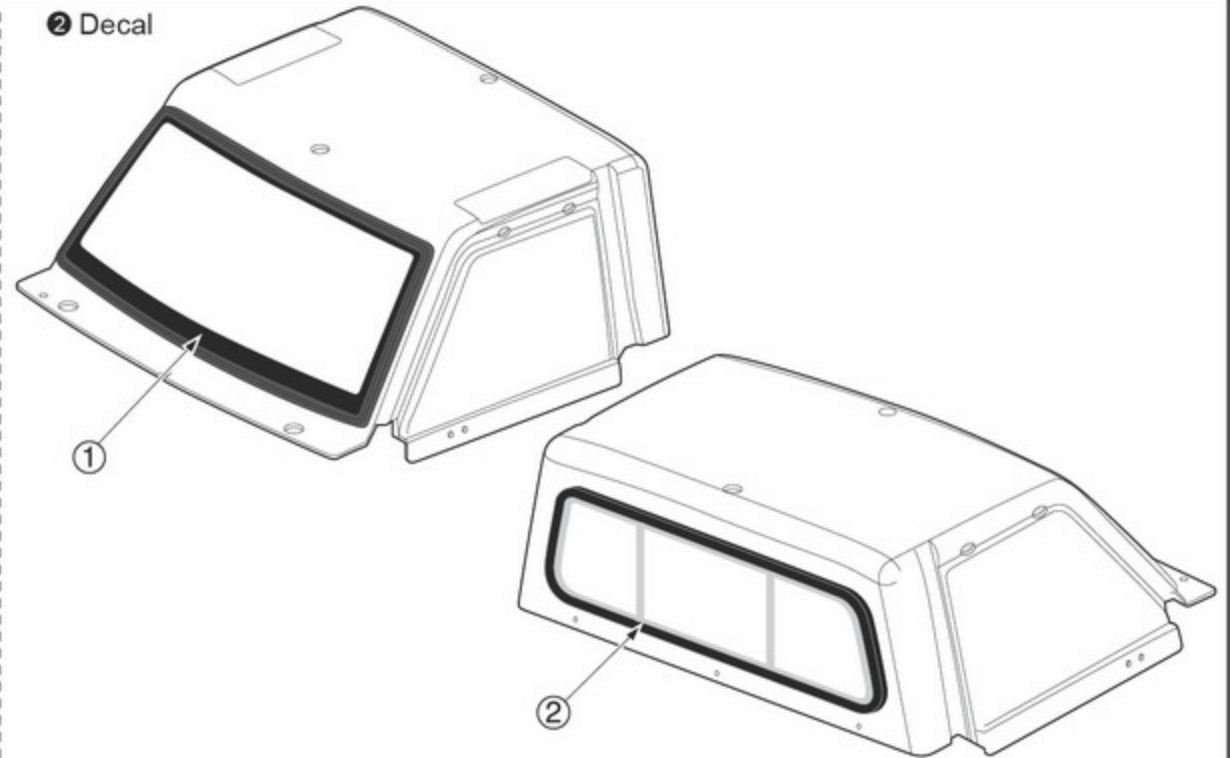
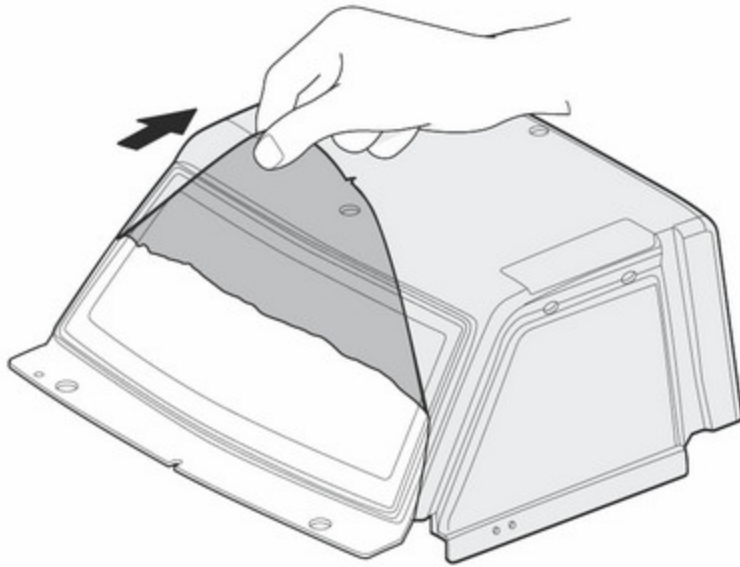
Screw 2.3X6mm

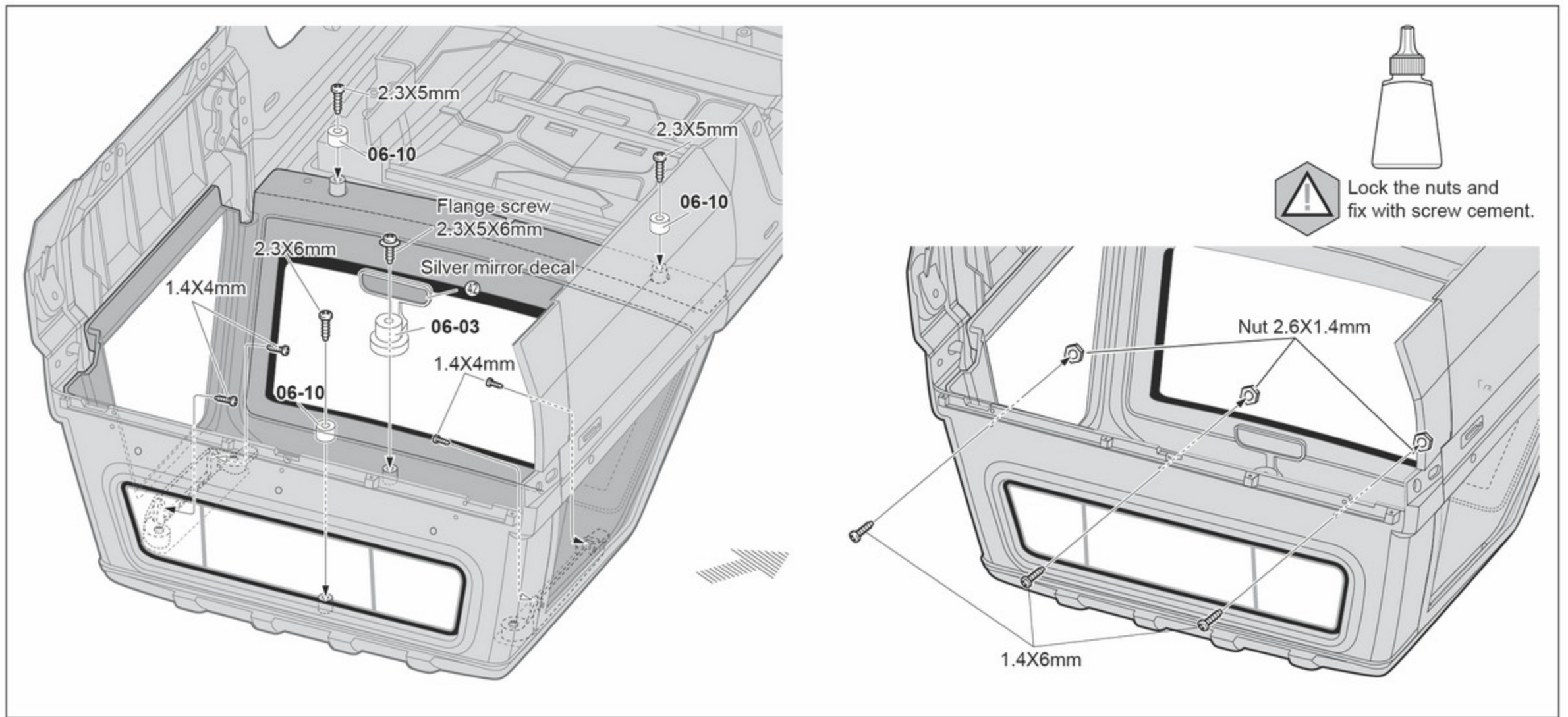
----- X1



1 Remove the protective film from outside.

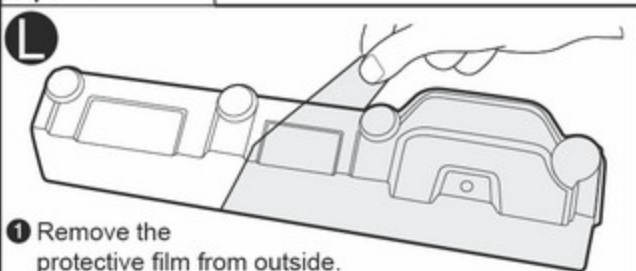
2 Decal



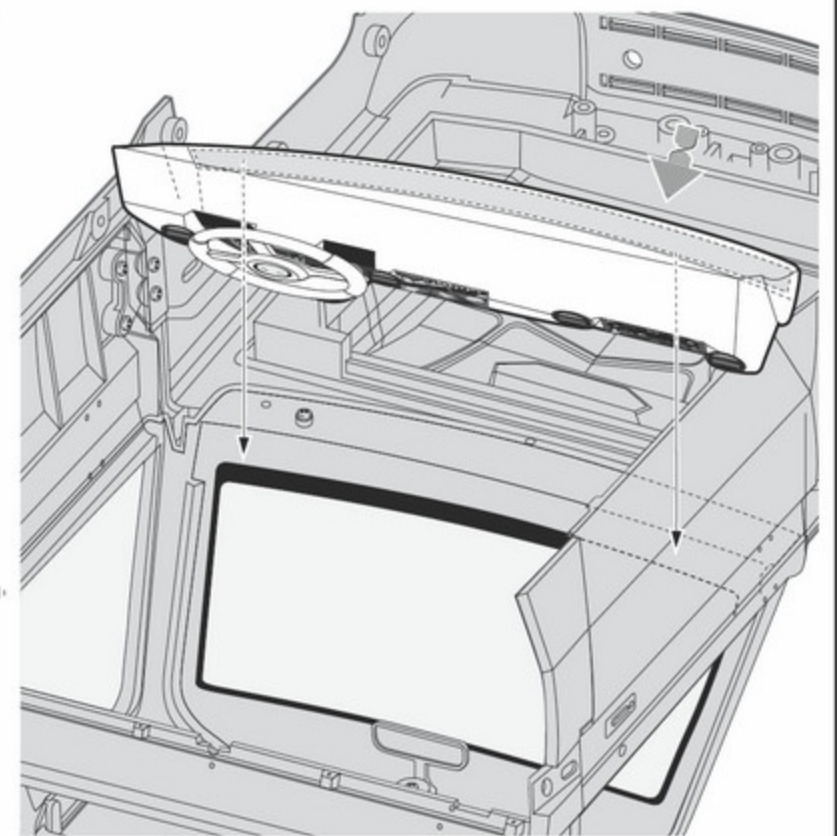
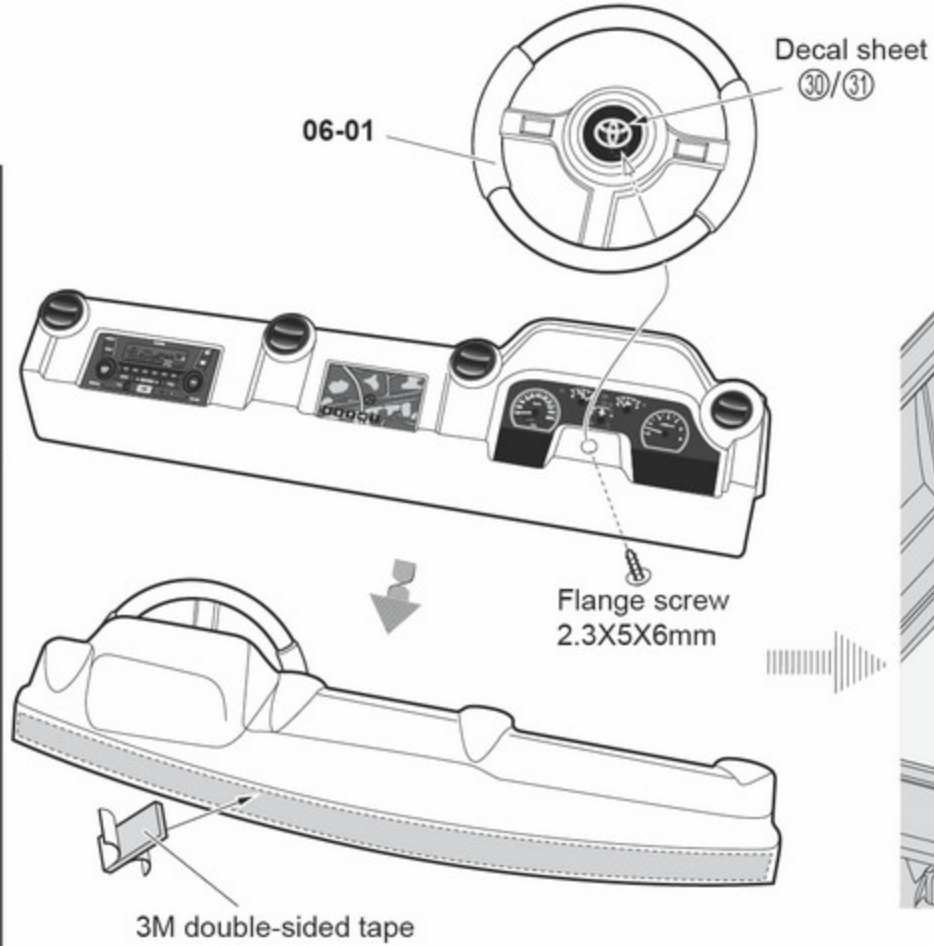
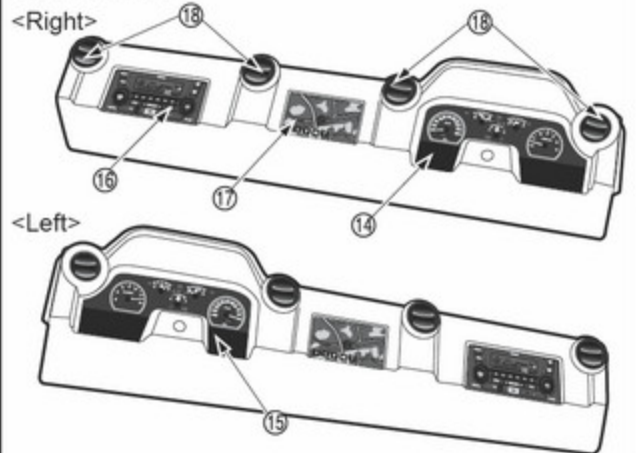


## 7 Assembling

Flange screw 2.3X5X6mm  
-----X1



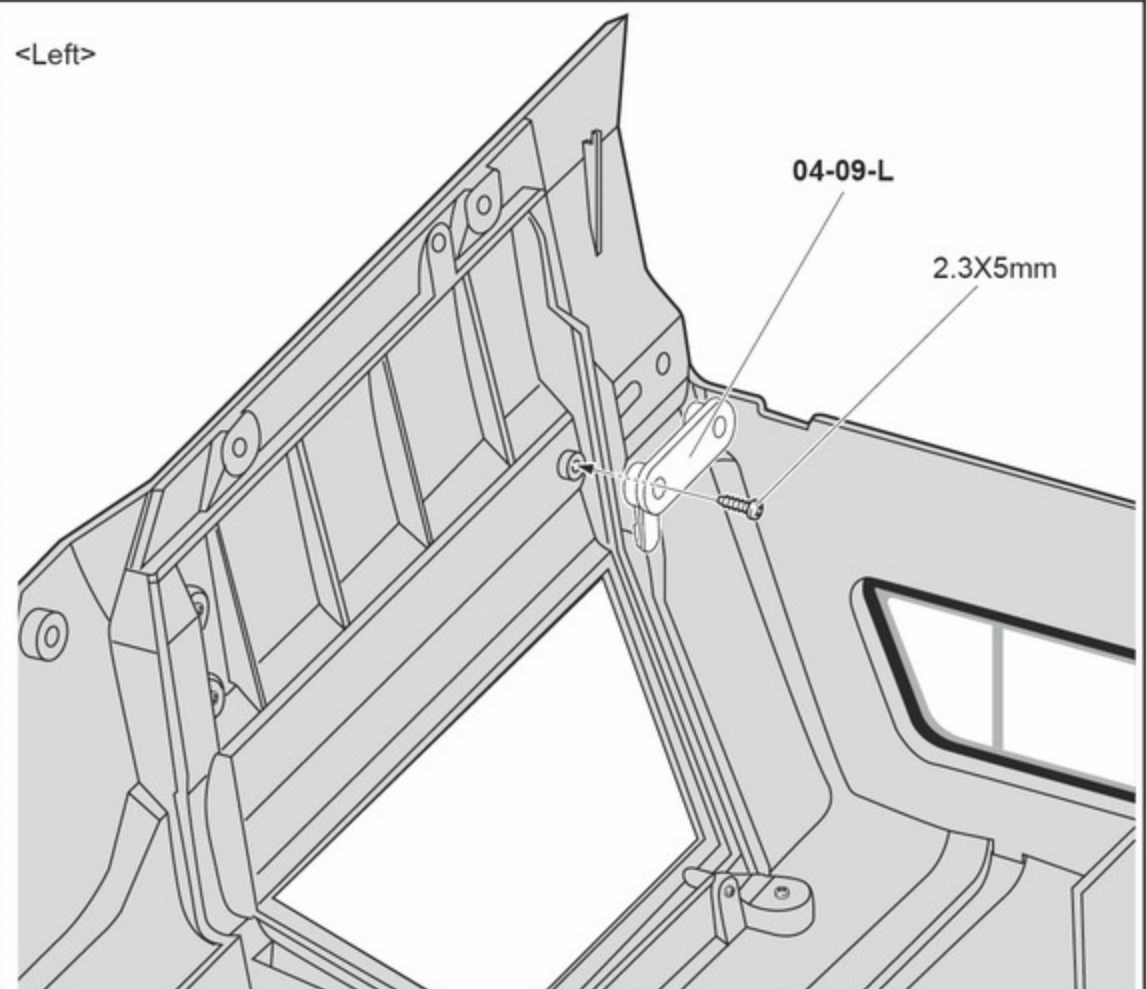
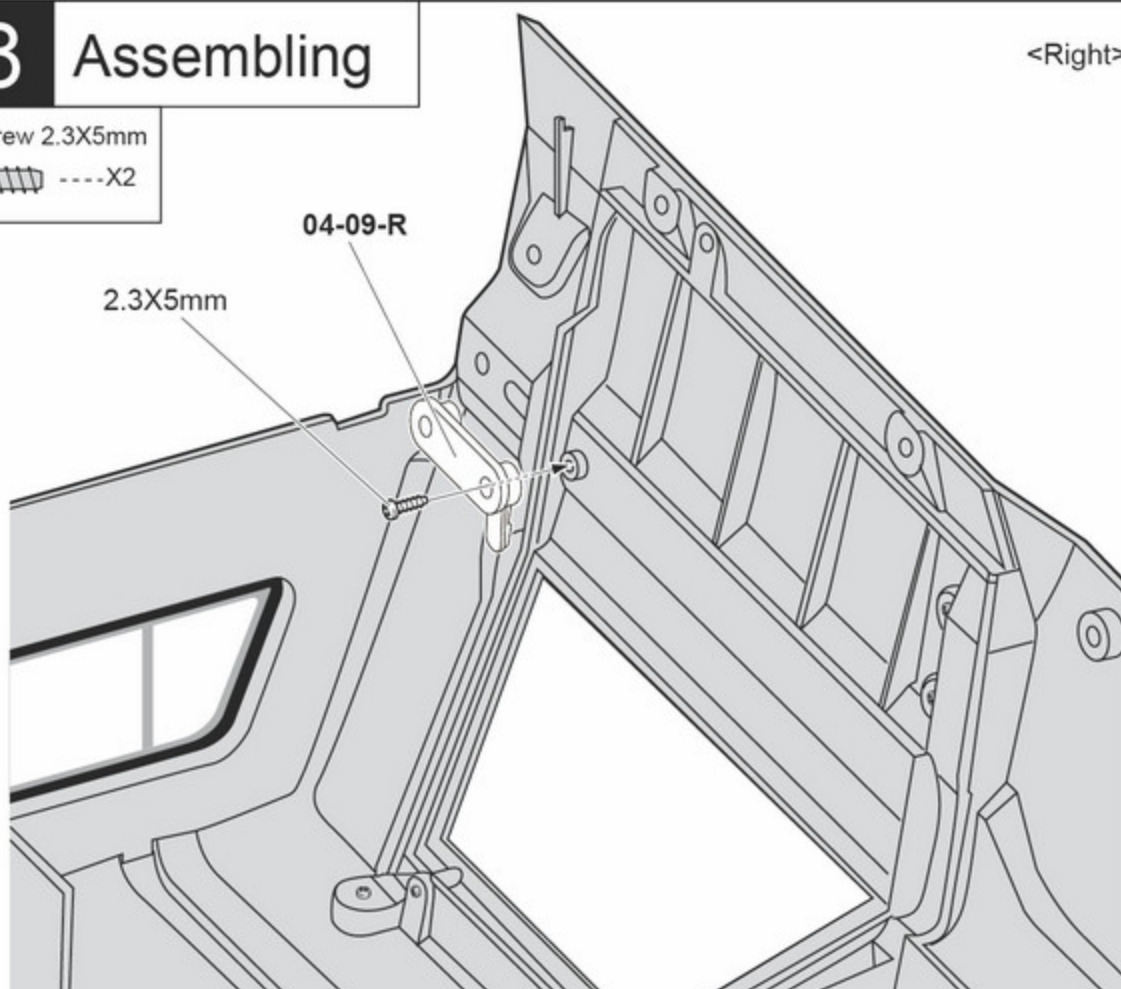
2 Decal sheet



## 8 Assembling

Screw 2.3X5mm  
-----X2

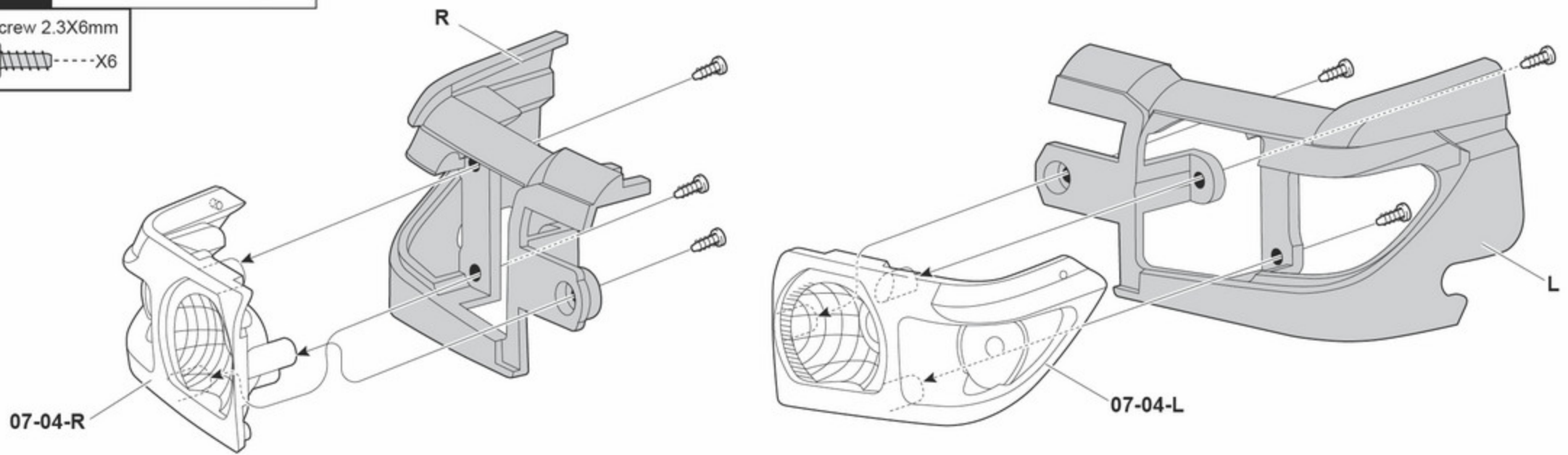
<Right> <Left>



## 9 Assembling

Screw 2.3X6mm

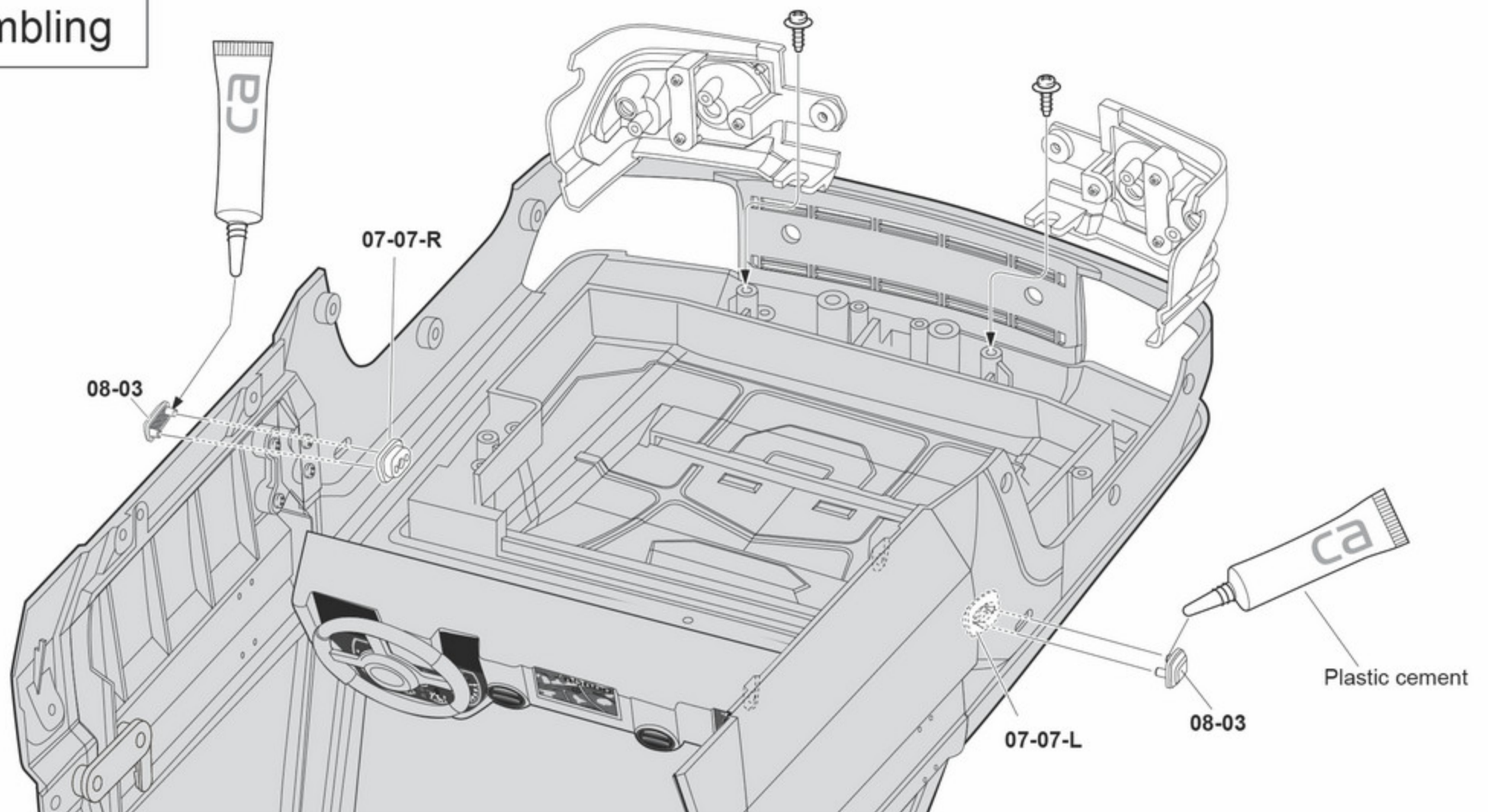
-----X6



## 10 Assembling

Flange screw  
2.3X5X6mm

-----X2



## 11 Assembling

Tapping screw  
1.4X6mm

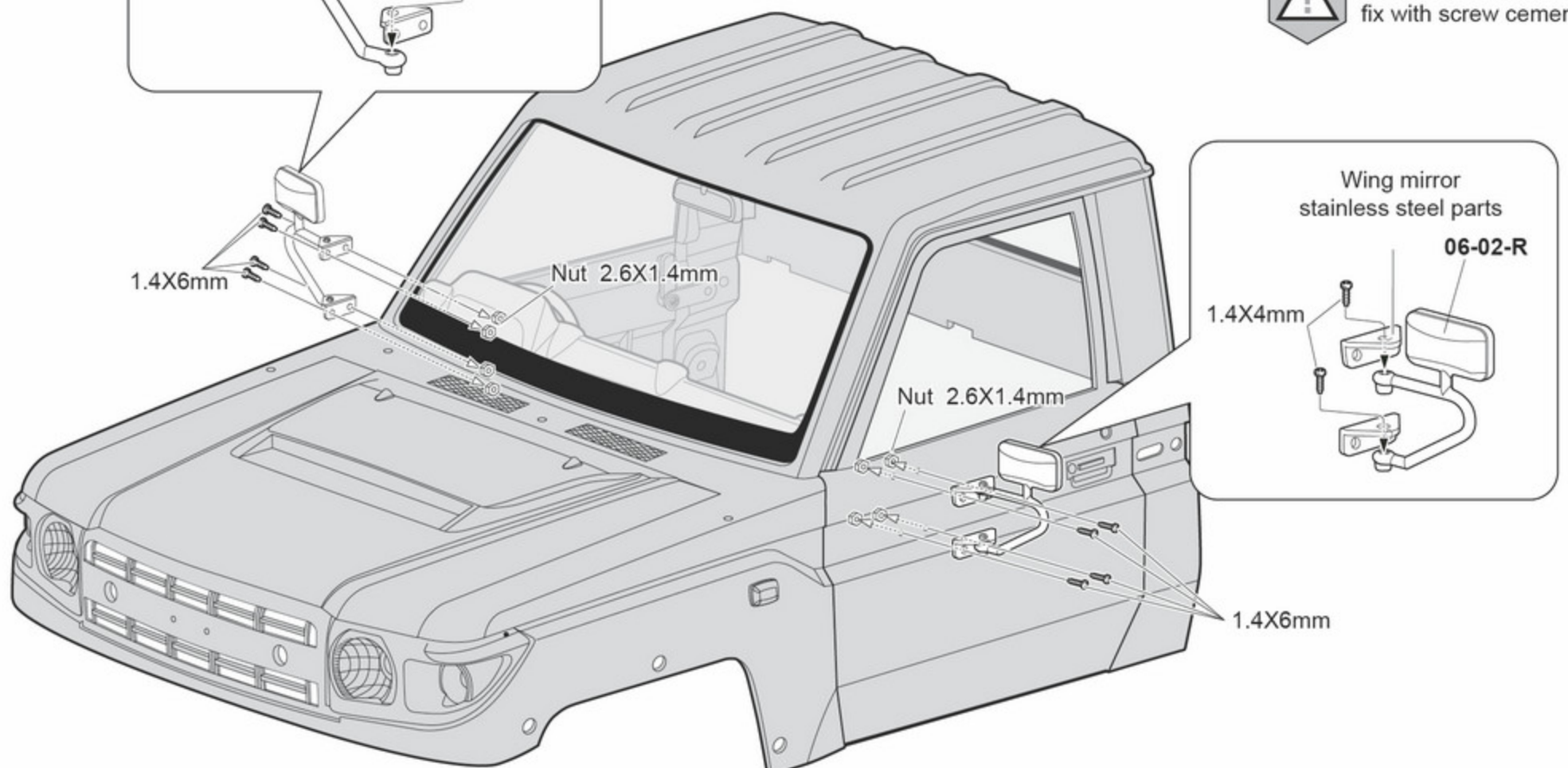
-----X8

Tapping screw  
1.4X4mm

-----X4

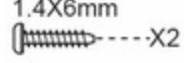
Nut 2.6X1.4mm

-----X8



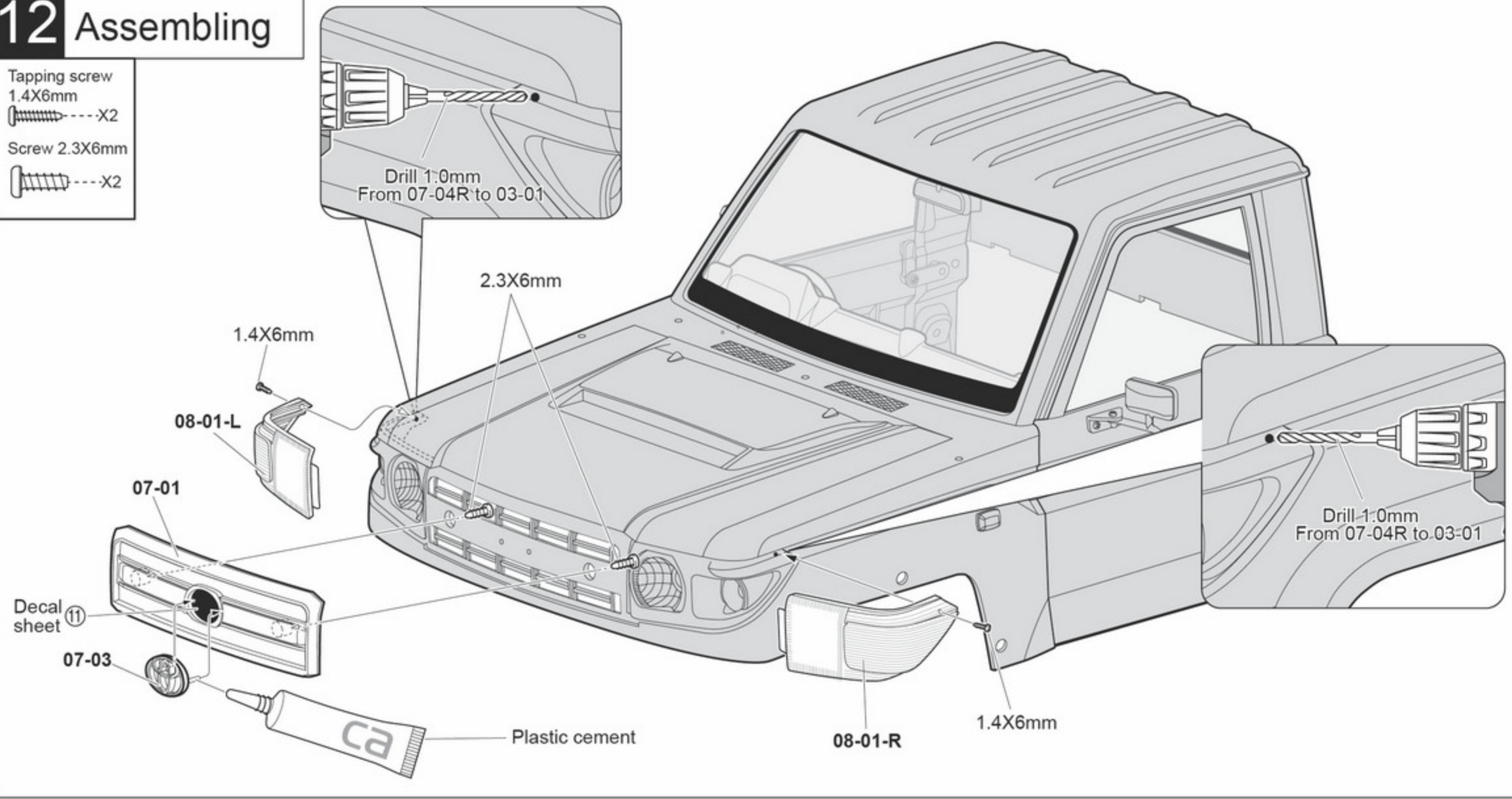
# 12 Assembling

Tapping screw


1.4X6mm  
 X2


Screw 2.3X6mm  
 X2

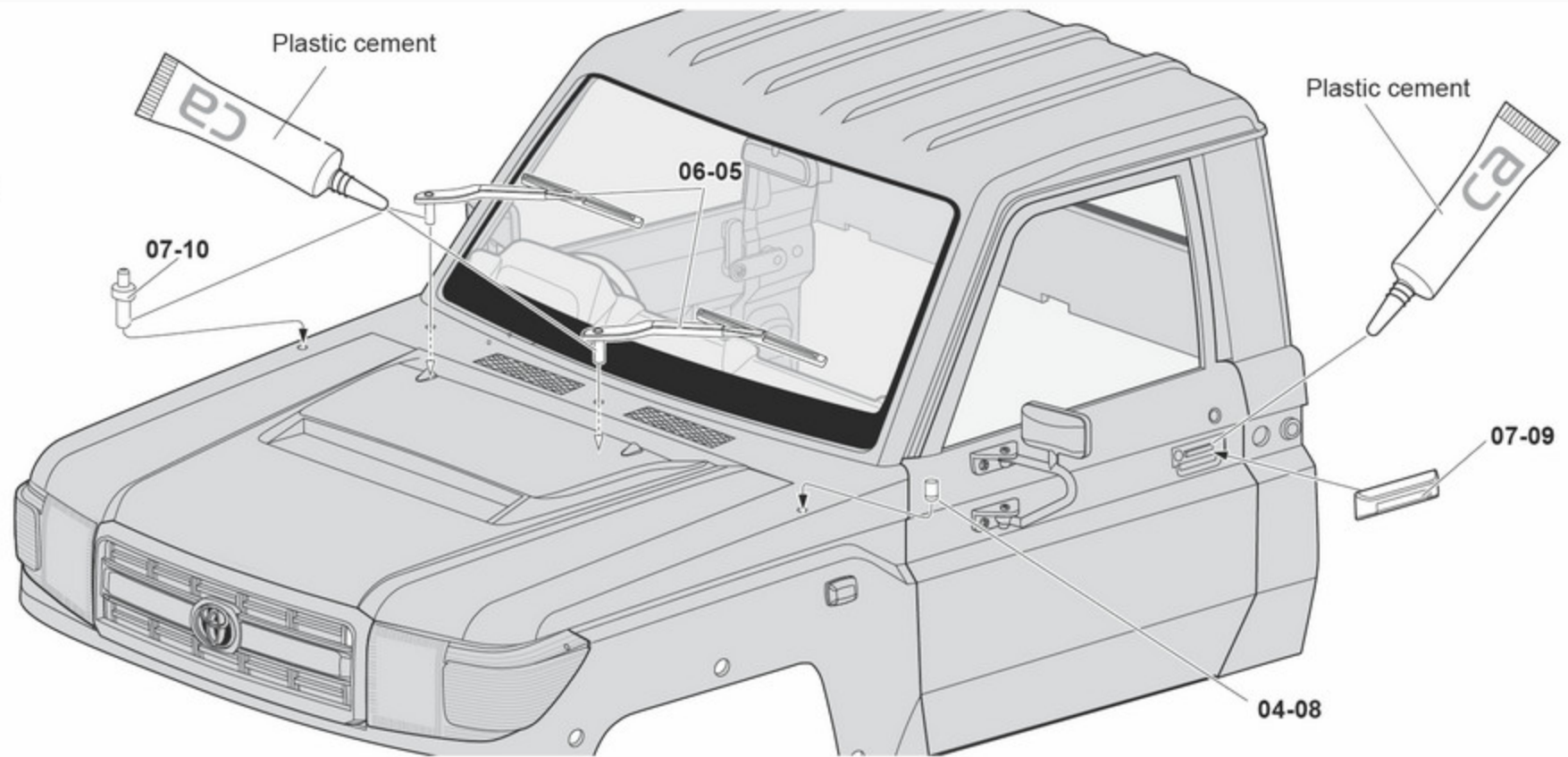
 X2



# 13 Assembling

 Install Part 07-10 toward the corresponding direction of the dashboard you assembled and plug Part 04-08 to block up another side hole.

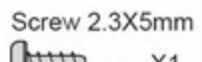
 Please keep Part 04-07 well, which you can use it to install electric windscreen wiper.



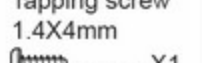
# 14 Assembling

Screw 2.3X6mm  
 X1

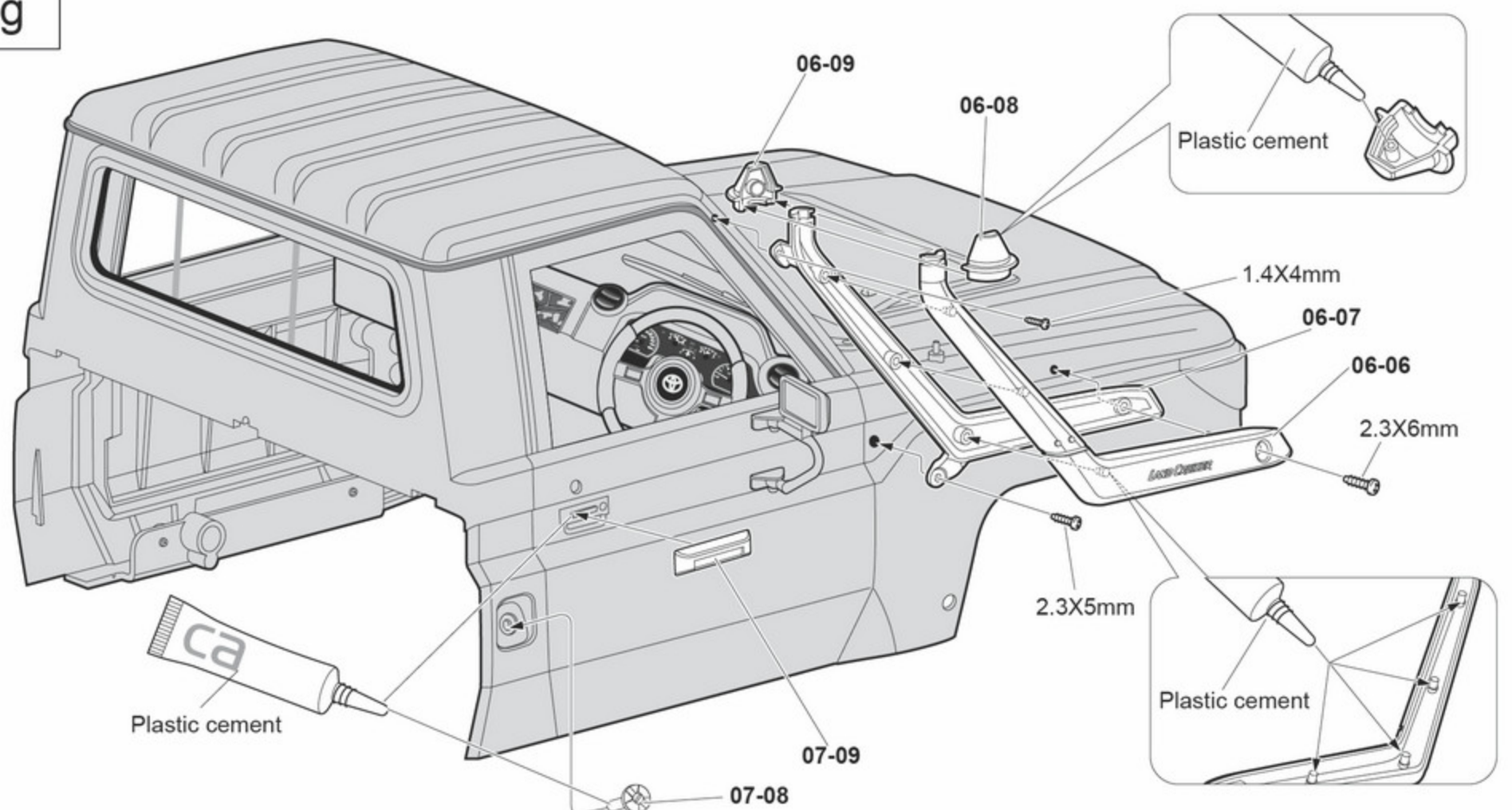
Screw 2.3X5mm  
 X1

 X1

Tapping screw

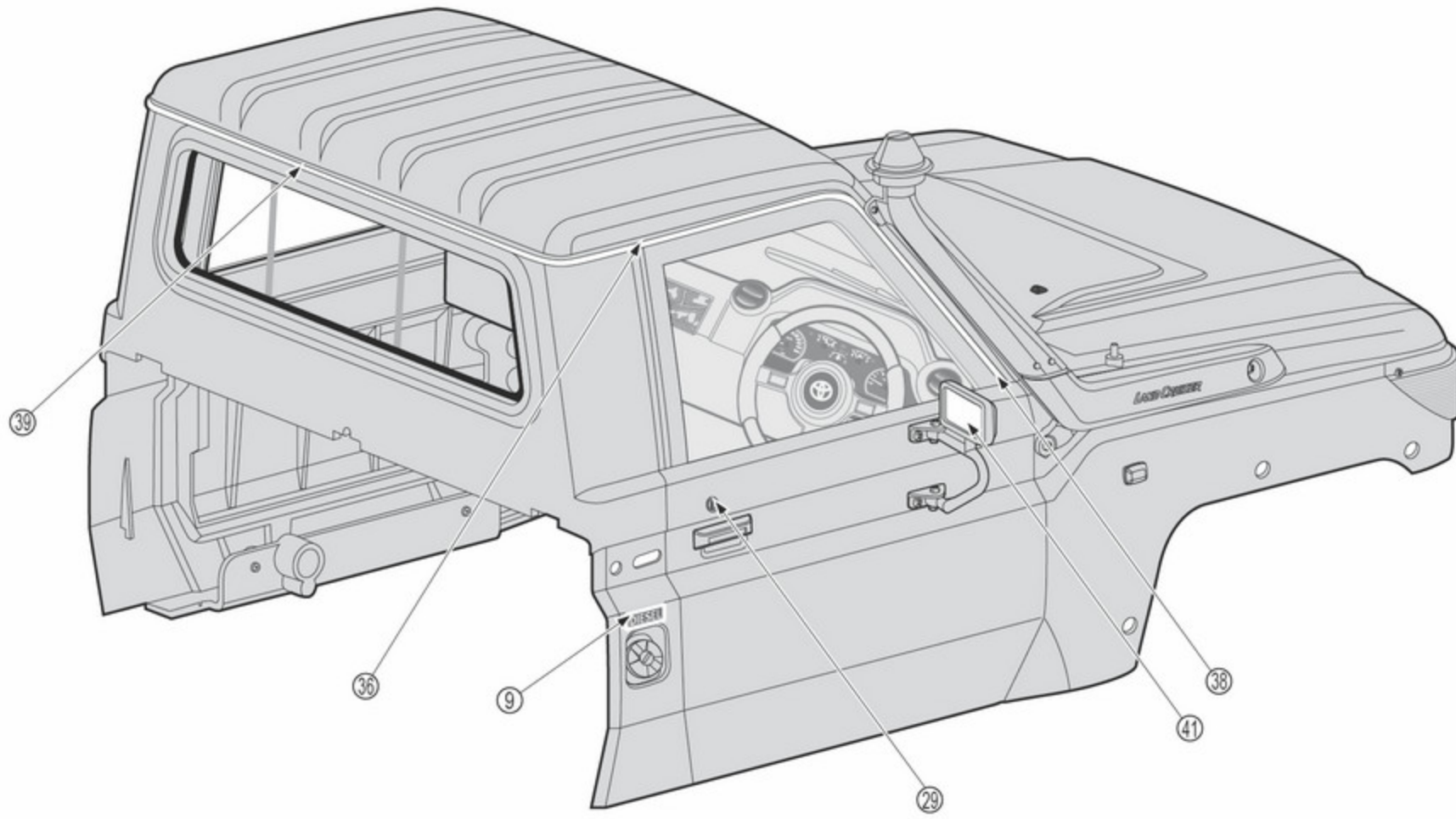
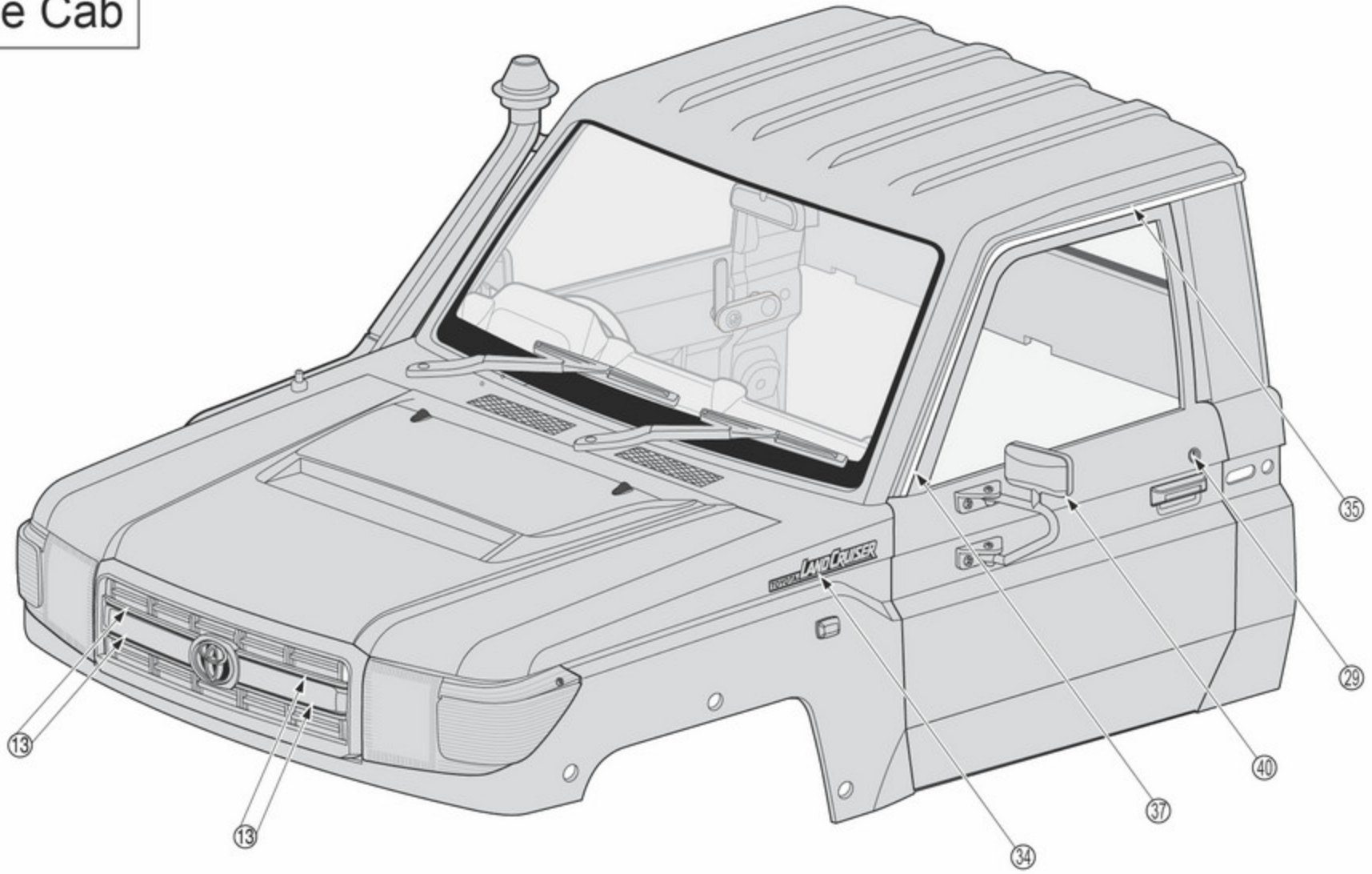
1.4X4mm  
 X1

 X1

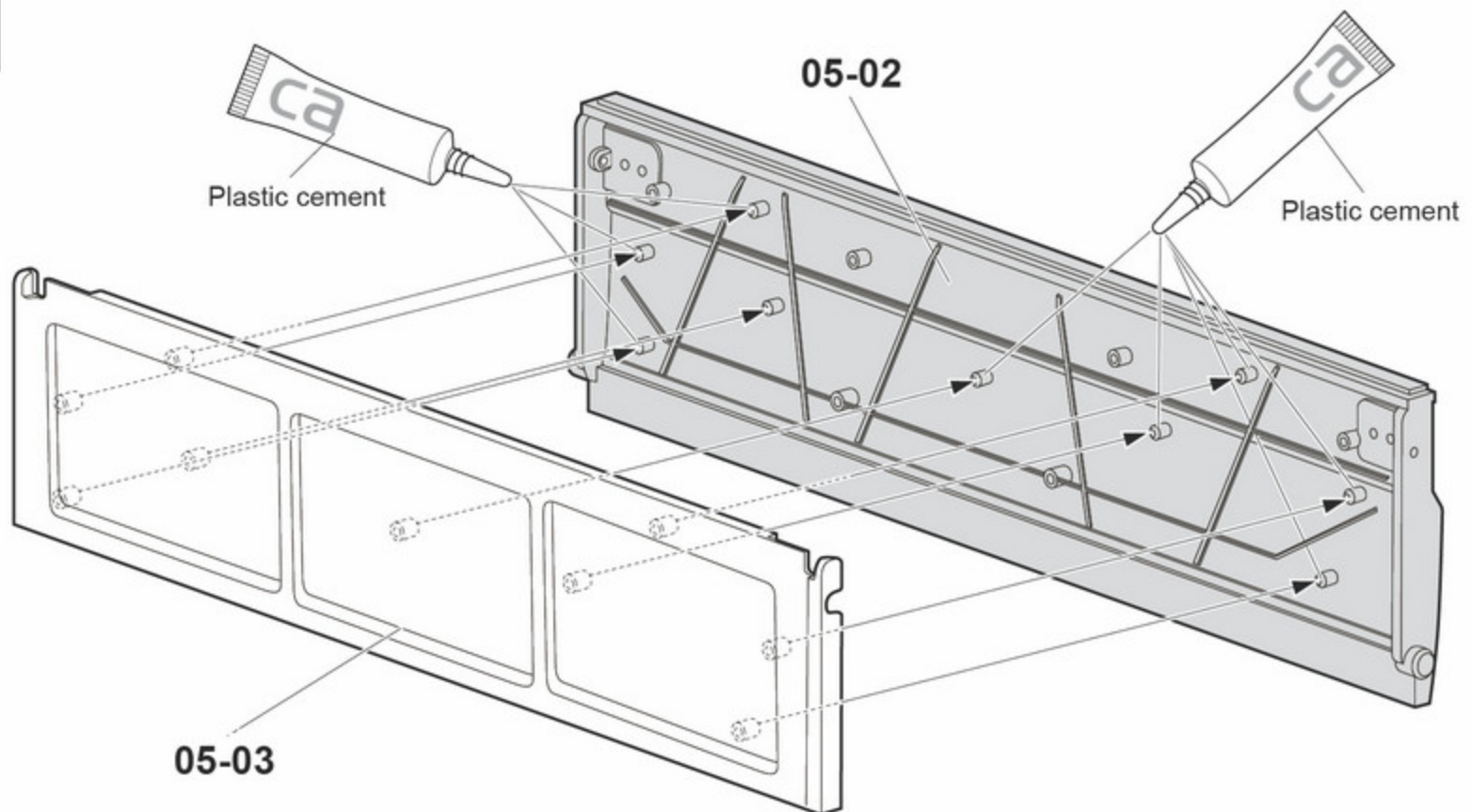




# 15 Decal the Cab

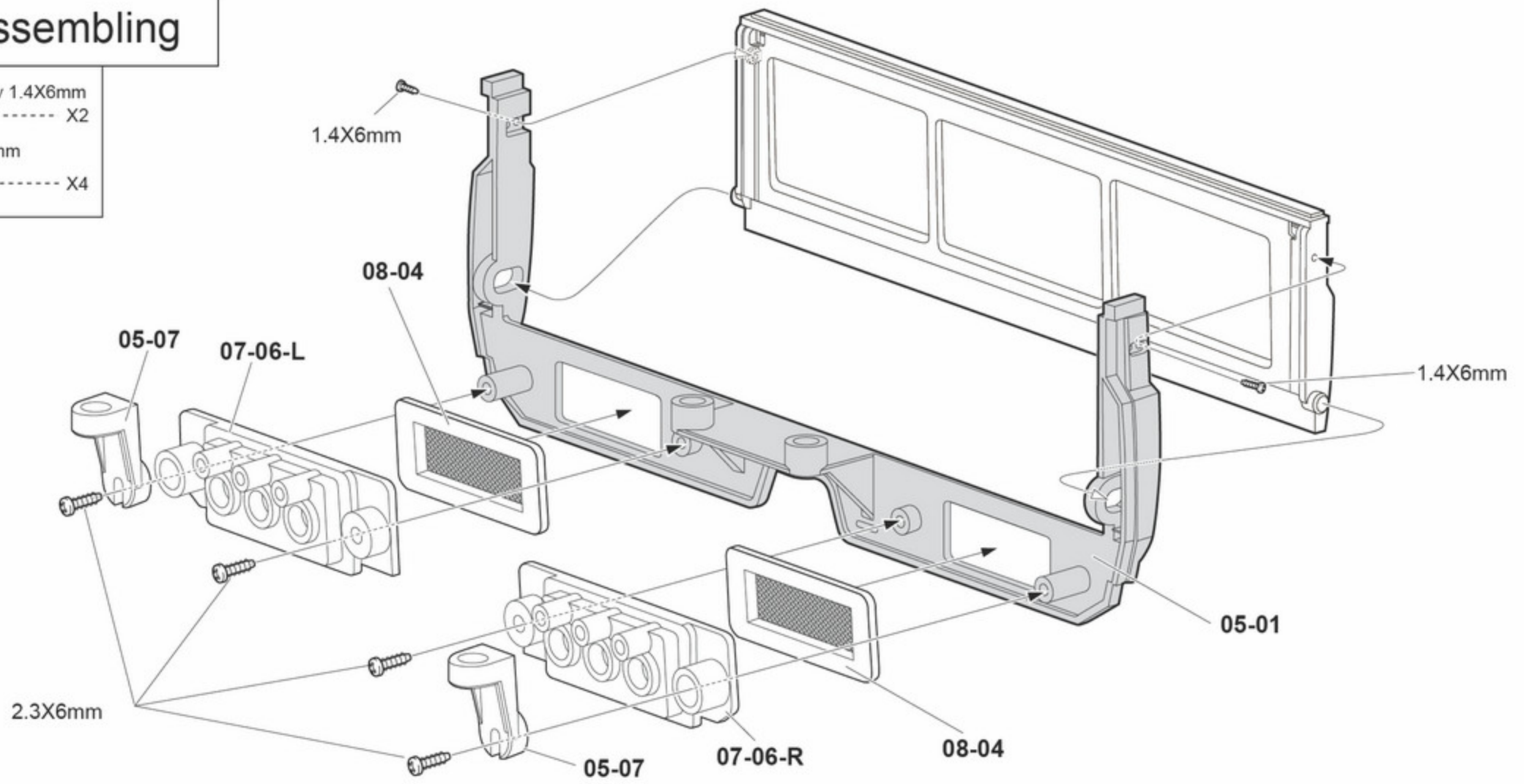


# 16 Assembling



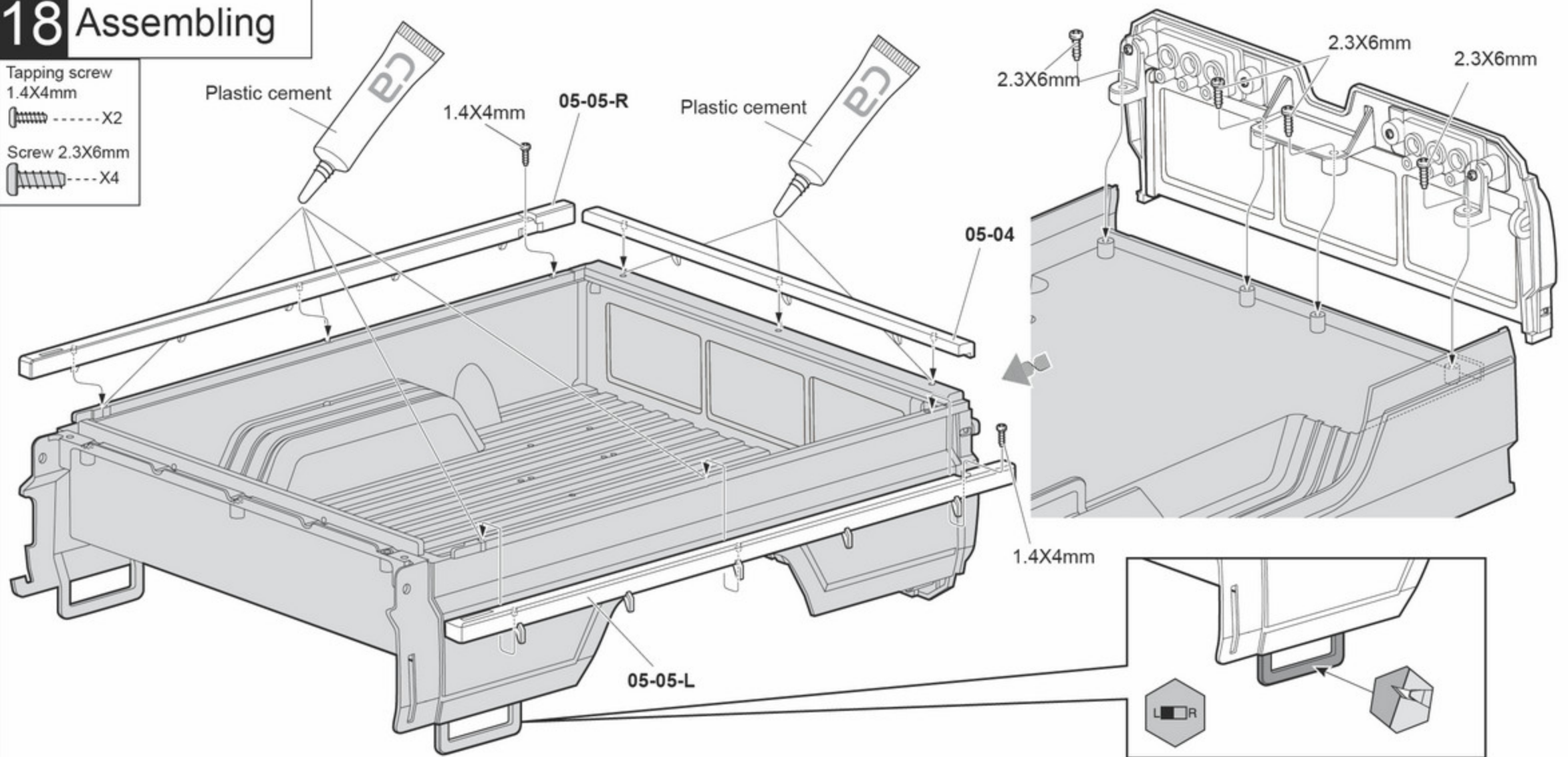
# 17 Assembling

- Tapping screw 1.4X6mm X2
- Screw 2.3X6mm X4

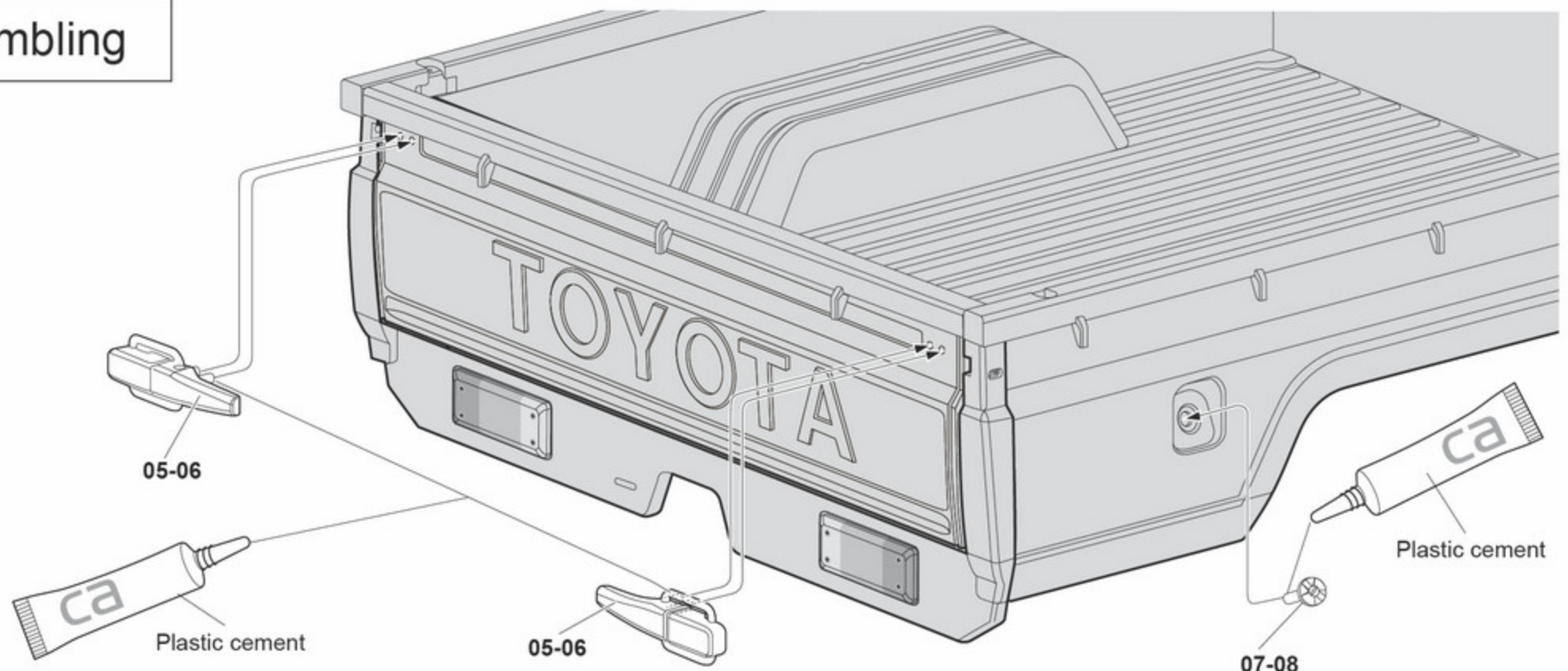


# 18 Assembling

- Tapping screw 1.4X4mm X2
- Screw 2.3X6mm X4



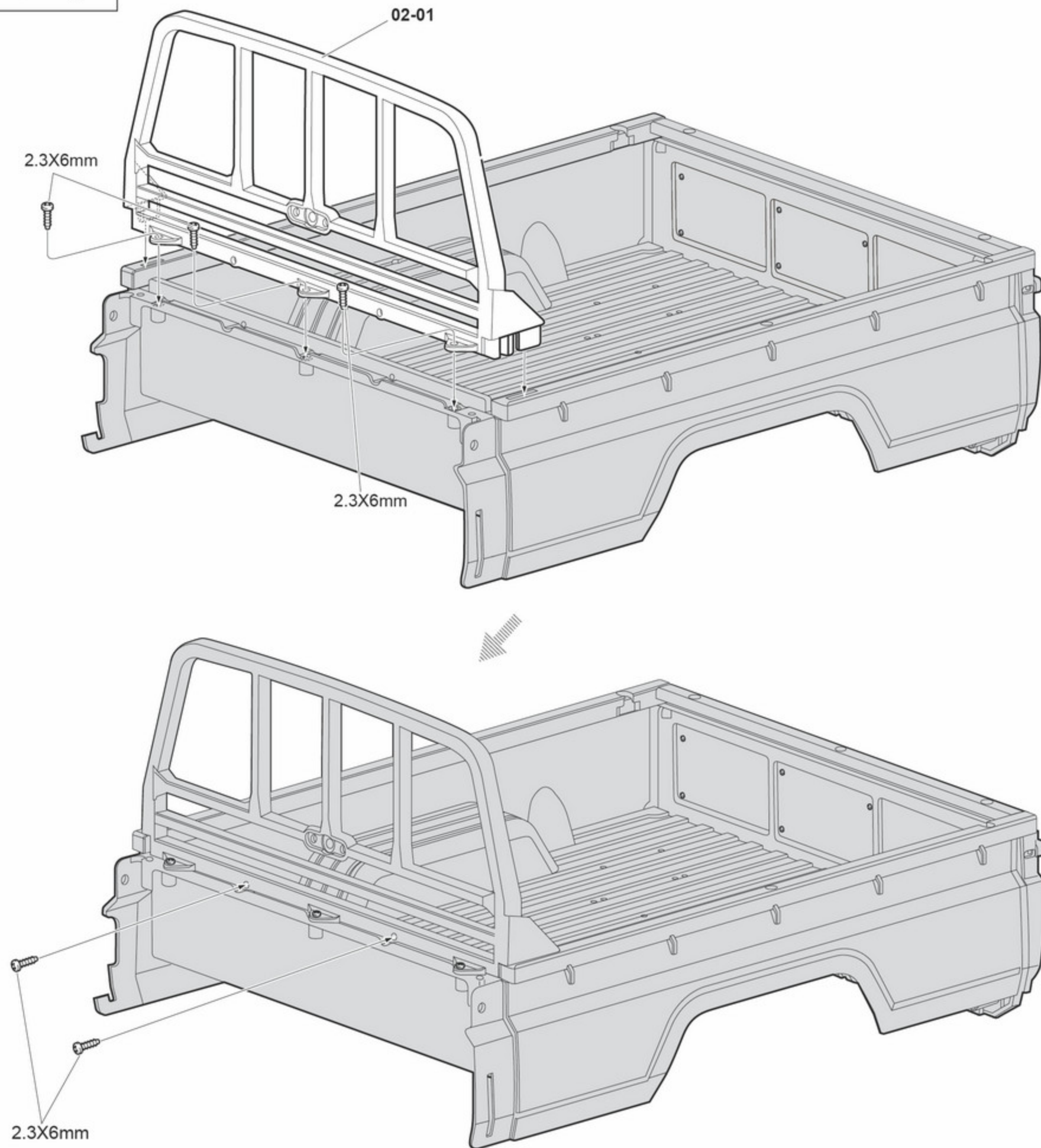
# 19 Assembling



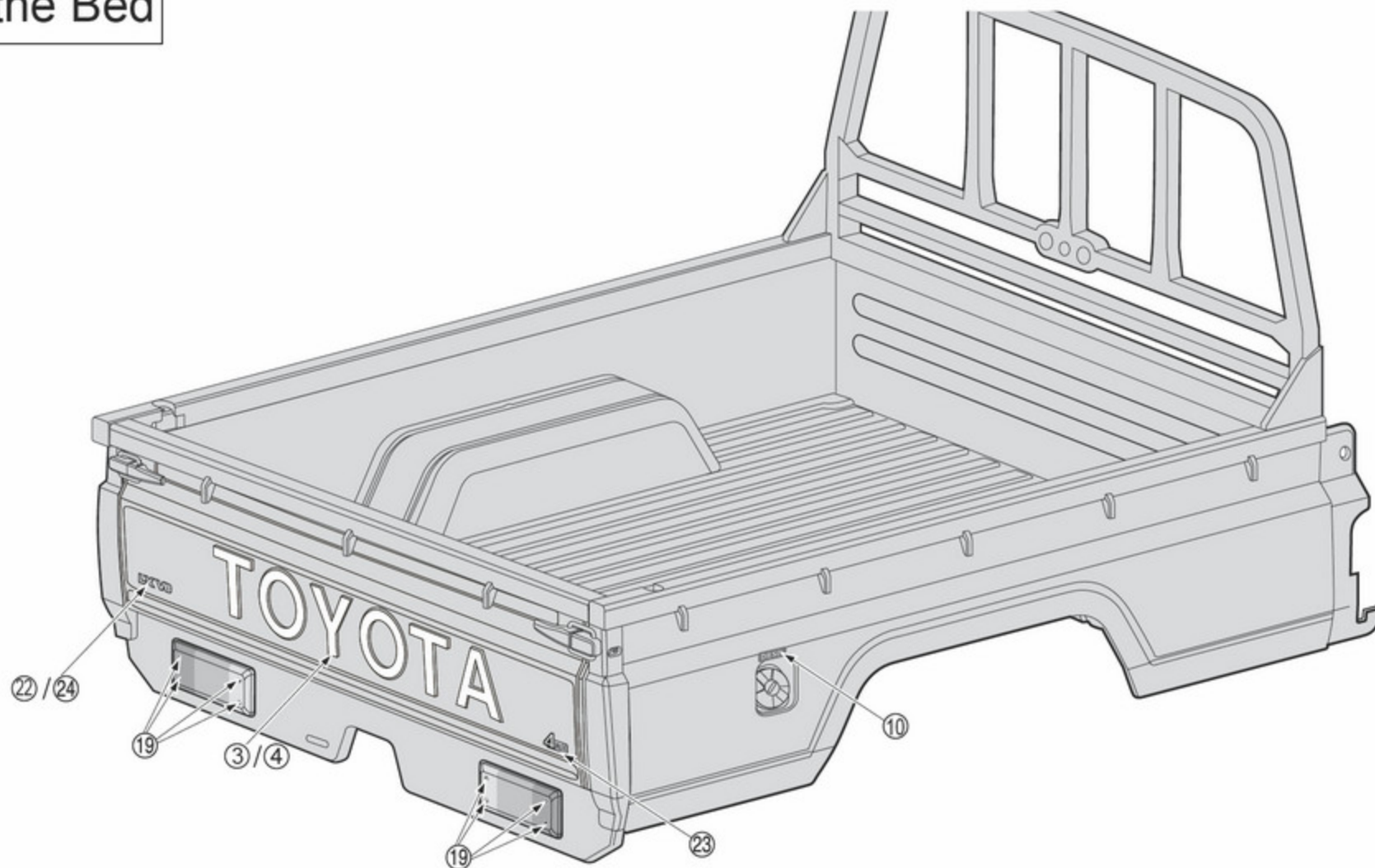
## 20 Assembling

Screw 2.3X6mm

-----X5



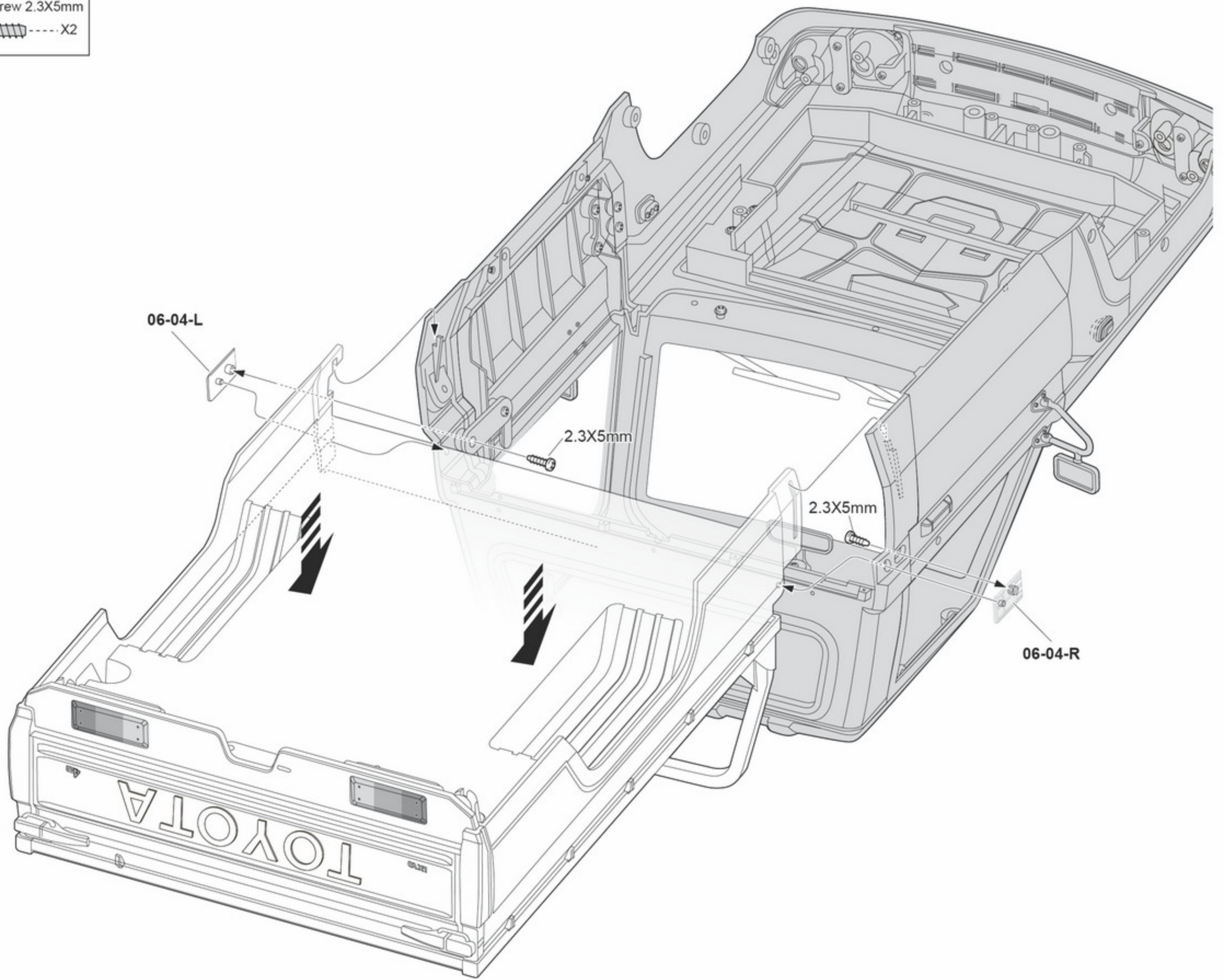
## 21 Decal the Bed



## 22 Connect Cab to Bed

Screw 2.3X5mm

-----X2



## 23 Assembling

LED stopper

----- 10

Tapping screw

----- 10

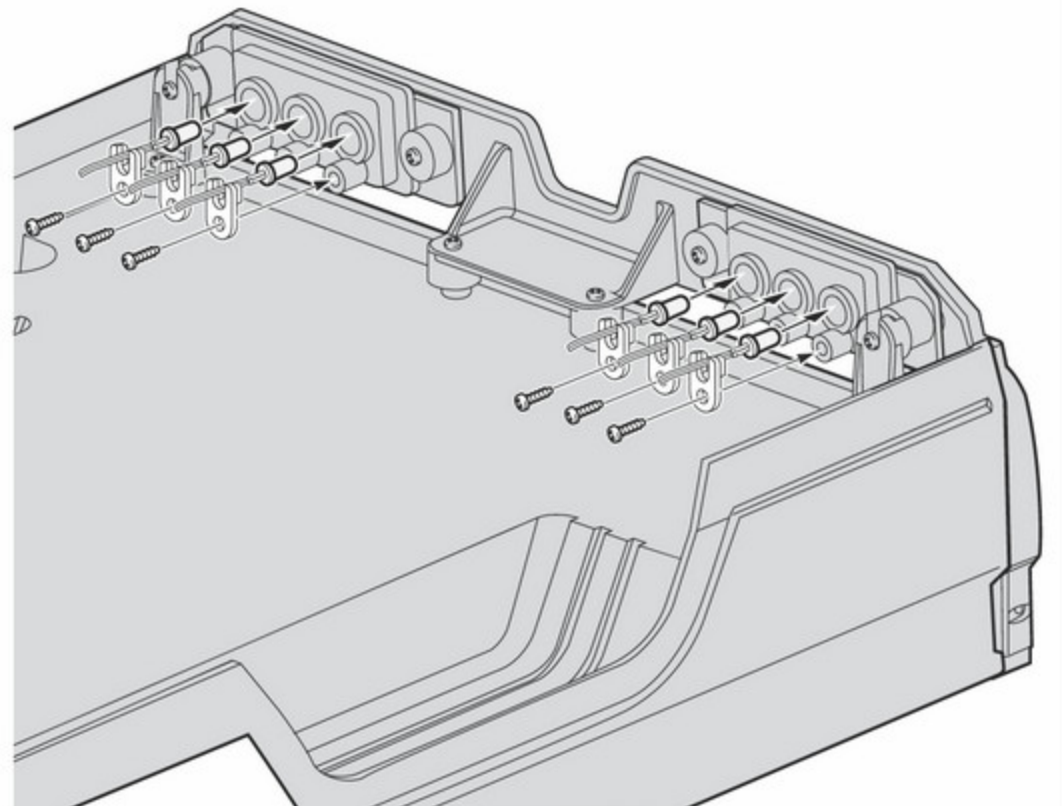
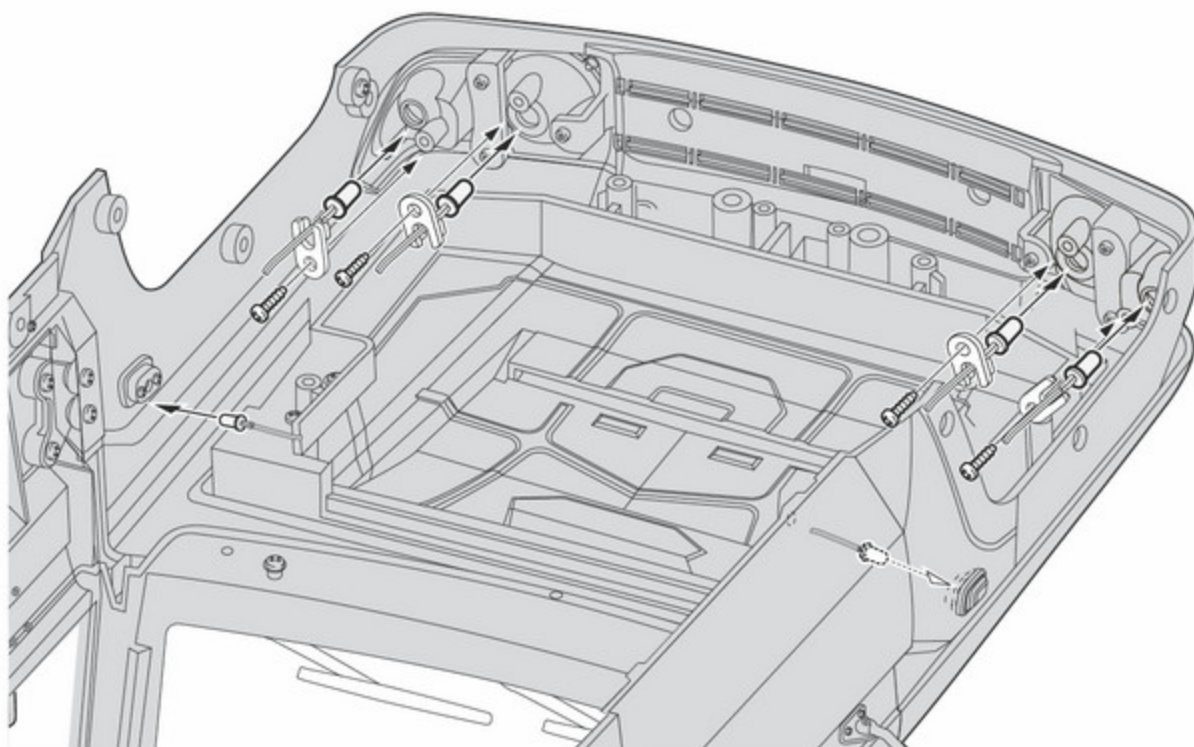
LED unit set

-----

NO.48625

<Front>

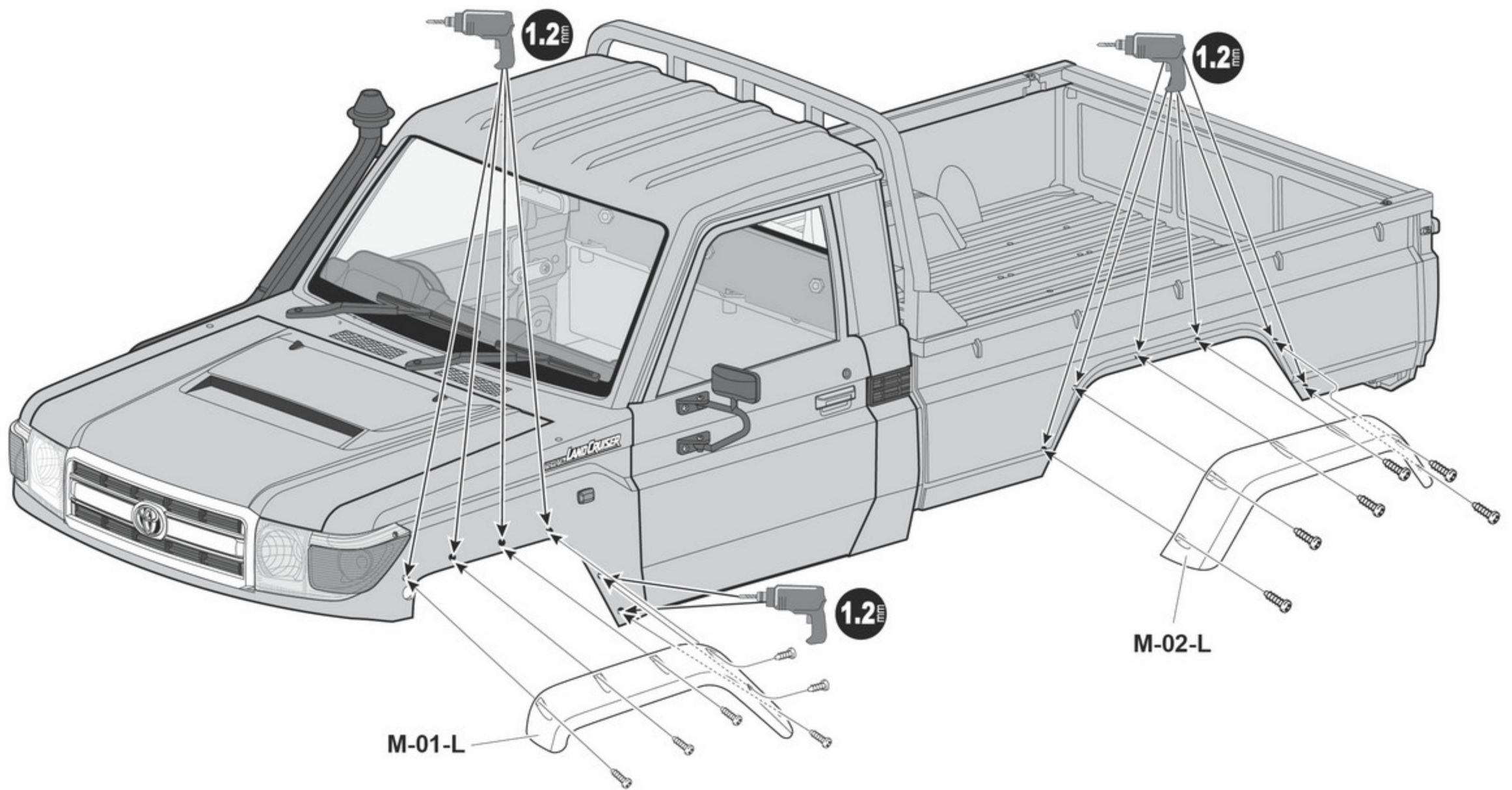
<Rear>



## 24 Assembling

Screw 1.4X4mm

X24



## 25 Assembling

Screw 1.0X3mm

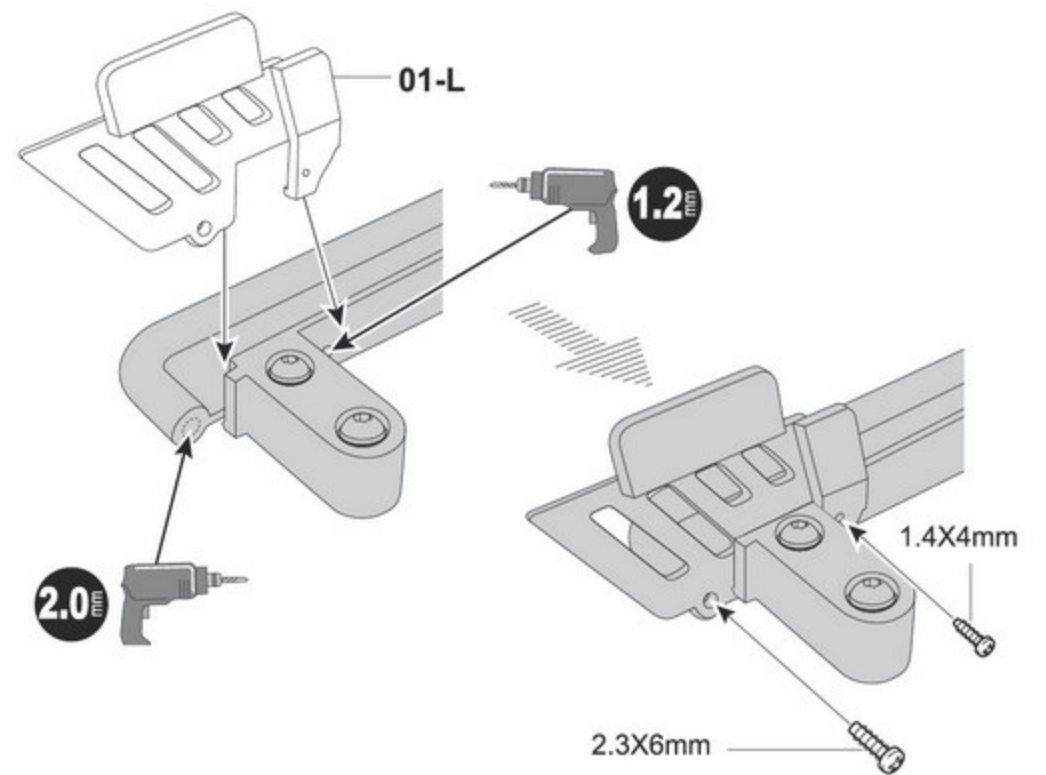
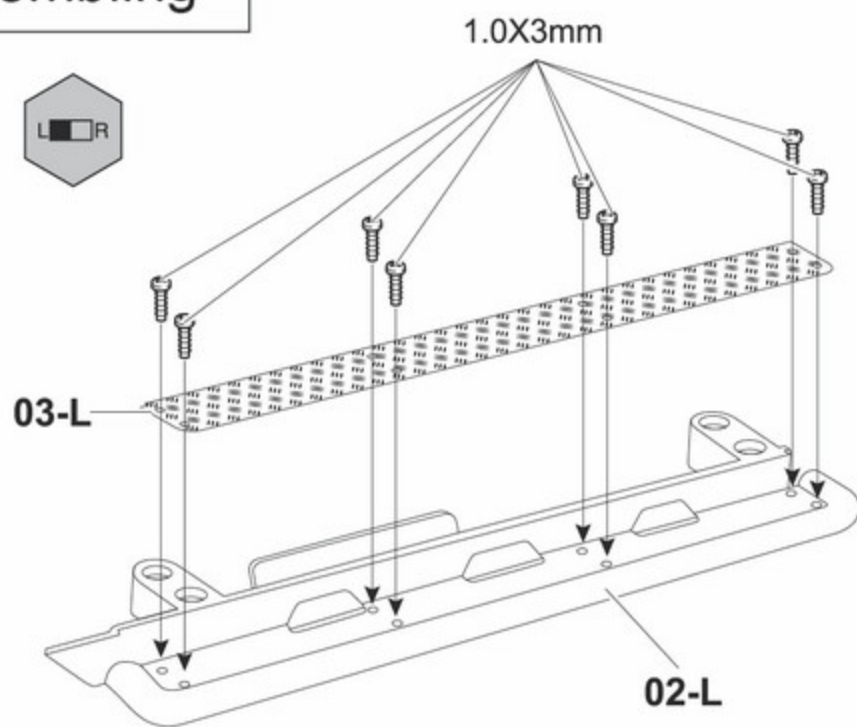
X16

Screw 2.3X6mm

X2

Screw 1.4X4mm

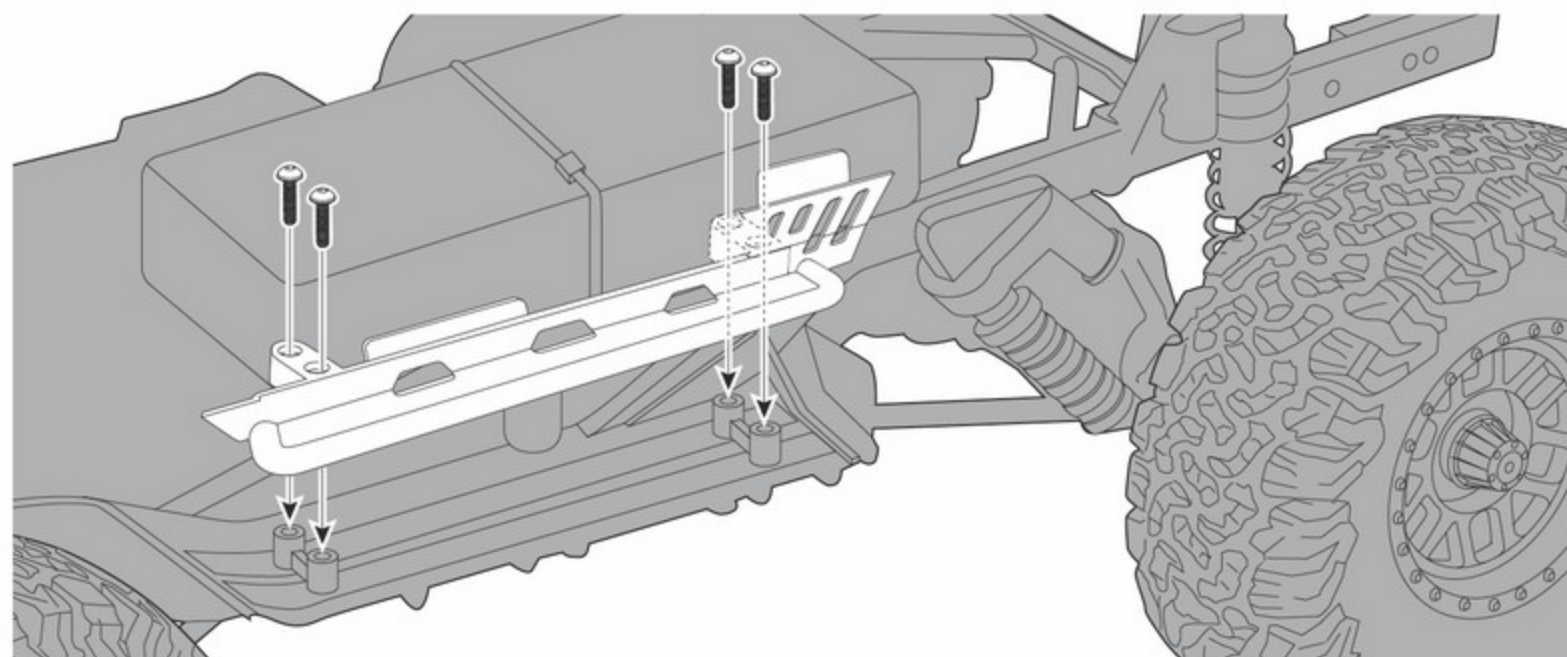
X2





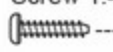
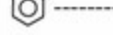
## 26 Installed



Screw M3X8mm

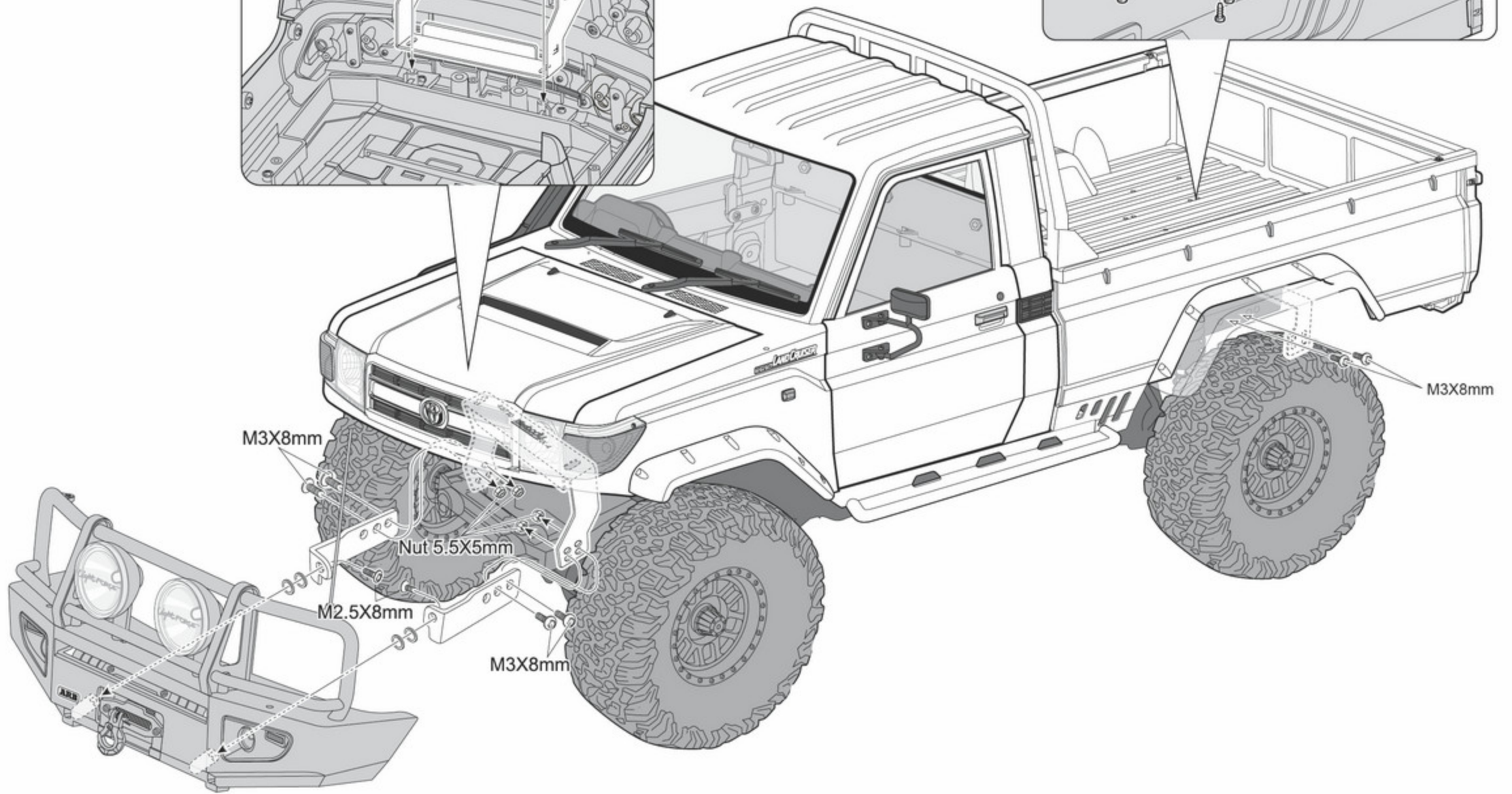
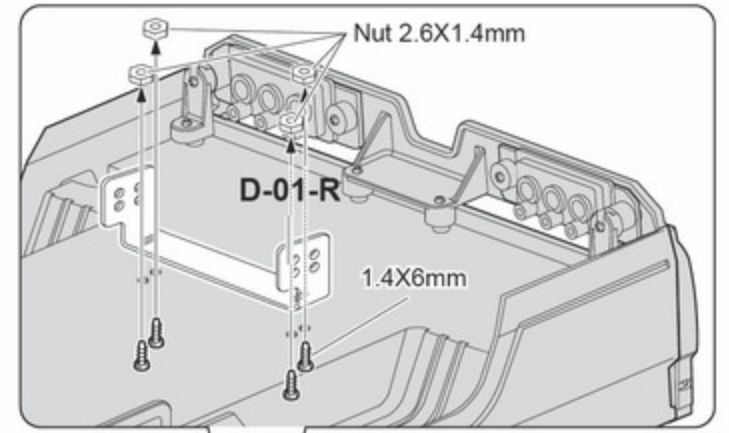
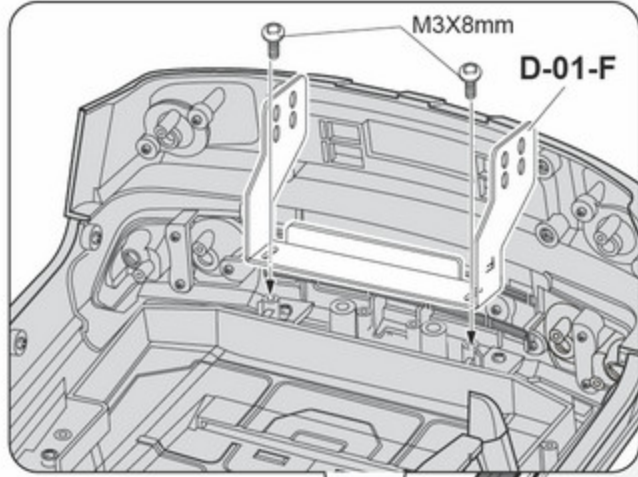
X8



# 27 Installed

- Screw M3X8mm  
---X10
- Nut 5.5X5mm  
---X4
- Screw 1.4X6mm  
---X4
- Nut 2.6X1.4mm  
---X4

-  NO.48717 / 48718 1/10 Alloy Bumper w/LEDS Upgrade Sets
-  NO.48713 Bumper Connecting Parts (Stainless Steel)



# 28 Finished

